

Kod: ES1114

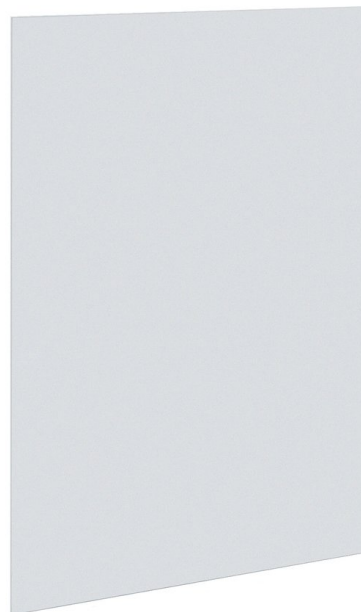
Rozmiary

Szerokość: 1367 mm

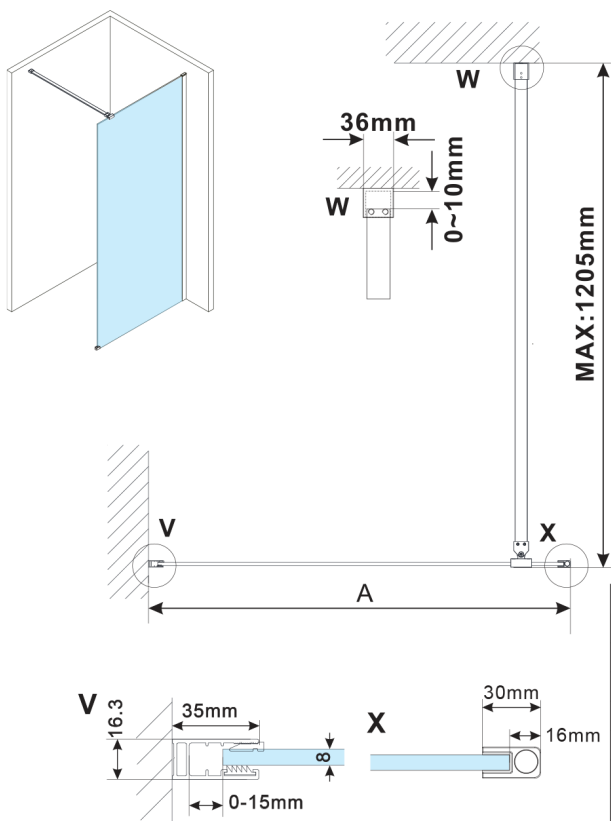
Wysokość: 2100 mm

Właściwości

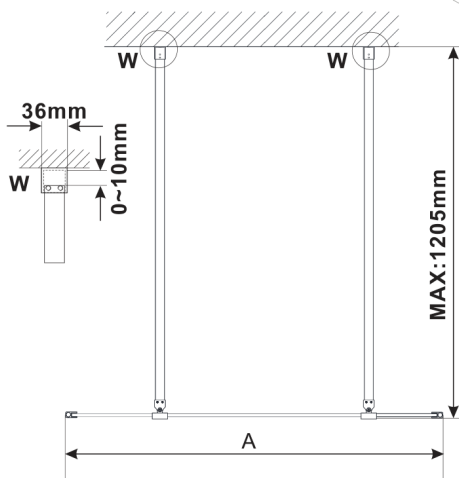
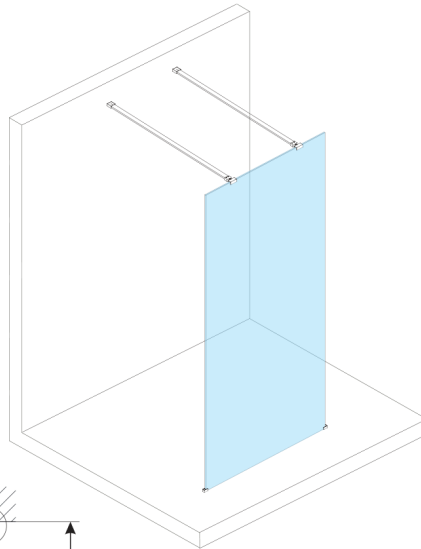
Gwarancja: 3 lata



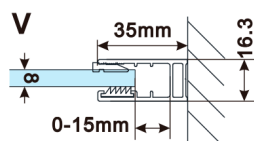
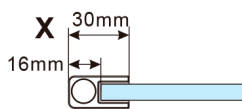
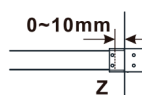
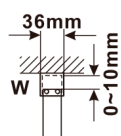
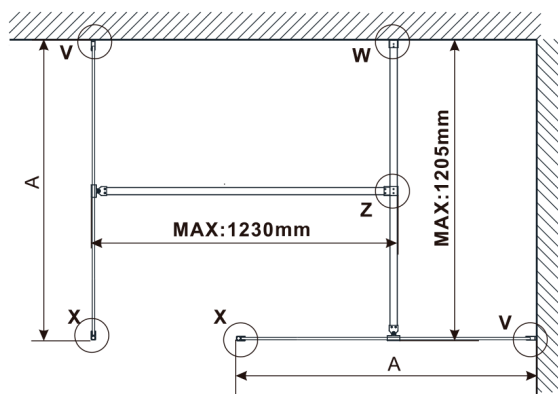
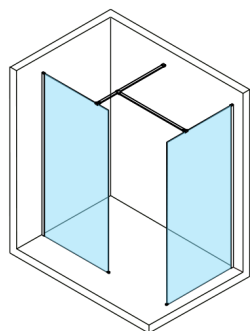
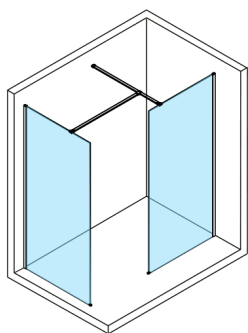
Karta techniczna



| MODEL | A,mm |
|--|-----------|
| ES1070, ES1170, ES1270, ES1370, ES1570 | 690~705 |
| ES1080, ES1180, ES1280, ES1380, ES1580 | 790~805 |
| ES1090, ES1190, ES1290, ES1390, ES1590 | 890~905 |
| ES1010, ES1110, ES1210, ES1310, ES1510 | 990~1005 |
| ES1011, ES1111, ES1211, ES1311, ES1511 | 1090~1105 |
| ES1012, ES1112, ES1212, ES1312, ES1512 | 1190~1205 |
| ES1013, ES1113, ES1213, ES1313, ES1513 | 1290~1305 |
| ES1014, ES1114, ES1214, ES1314, ES1514 | 1390~1405 |
| ES1015, ES1115, ES1215, ES1315, ES1515 | 1490~1505 |



| MODEL | A, mm |
|--|-------|
| ES1070, ES1170, ES1270, ES1370, ES1570 | 699 |
| ES1080, ES1180, ES1280, ES1380, ES1580 | 799 |
| ES1090, ES1190, ES1290, ES1390, ES1590 | 899 |
| ES1010, ES1110, ES1210, ES1310, ES1510 | 999 |
| ES1011, ES1111, ES1211, ES1311, ES1511 | 1099 |
| ES1012, ES1112, ES1212, ES1312, ES1512 | 1199 |
| ES1013, ES1113, ES1213, ES1313, ES1513 | 1299 |
| ES1014, ES1114, ES1214, ES1314, ES1514 | 1399 |
| ES1015, ES1115, ES1215, ES1315, ES1515 | 1499 |



| MODEL | A,mm |
|--|-----------|
| ES1070, ES1170, ES1270, ES1370, ES1570 | 690-705 |
| ES1080, ES1180, ES1280, ES1380, ES1580 | 790-805 |
| ES1090, ES1190, ES1290, ES1390, ES1590 | 890-905 |
| ES1010, ES1110, ES1210, ES1310, ES1510 | 990-1005 |
| ES1011, ES1111, ES1211, ES1311, ES1511 | 1090-1105 |
| ES1012, ES1112, ES1212, ES1312, ES1512 | 1190-1205 |
| ES1013, ES1113, ES1213, ES1313, ES1513 | 1290-1305 |
| ES1014, ES1114, ES1214, ES1314, ES1514 | 1390-1405 |
| ES1015, ES1115, ES1215, ES1315, ES1515 | 1490-1505 |