

HANDICAP folding handle 600mm, white



Order code: XH516W

Basic information

Brand: Sapho

Size

Width: 100 mm

Height: 250 mm

Depth: 616 mm

Properties

Colour: White

Material: Steel

Shape: Other

Type: Grab rail

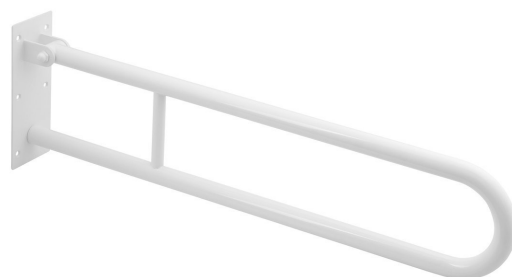
Installation: Drilling

Load capacity: 120 kg

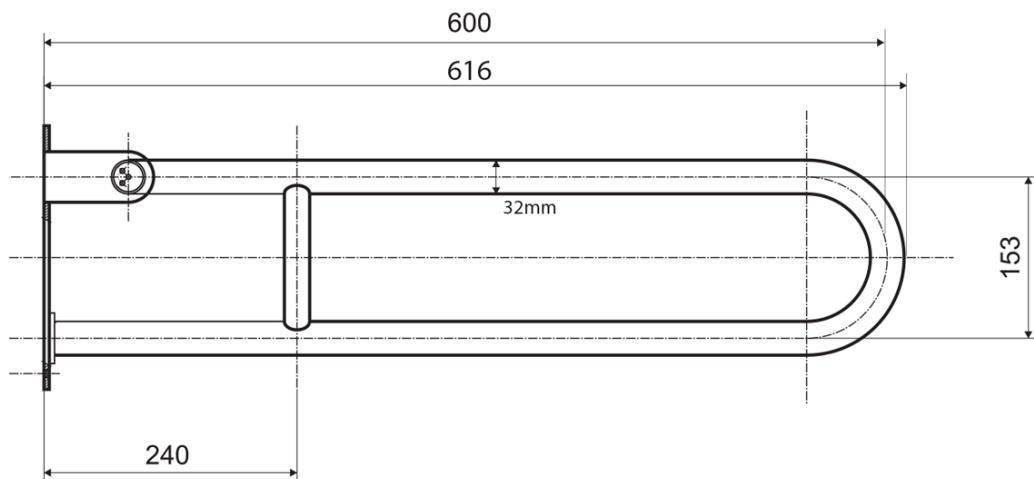
Weight / Piece: 2.7 kg

Packaging: 1 Piece

Warranty: 2 years



Technical sheet



brzda / brake / Bremse:

