

TRINITY CHROME rectangular screen 1000x900mm, matt glass, left

Order code: GT5690-10ML-CH

Size

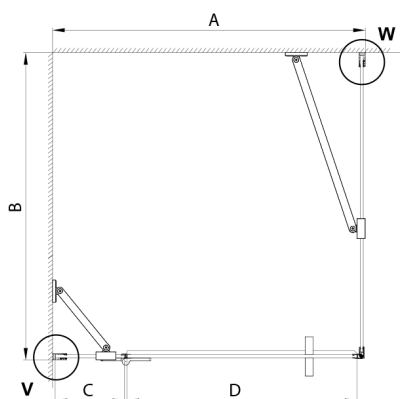
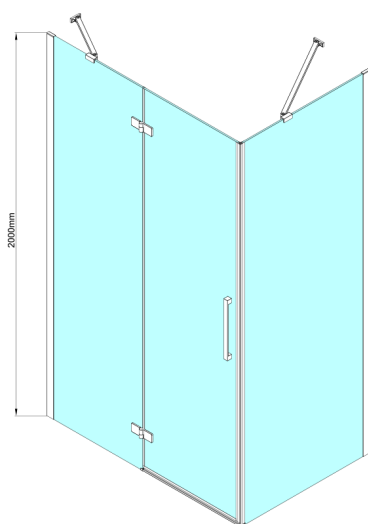
Width: 1000 mm
 Height: 2000 mm
 Depth: 900 mm

Properties

Warranty: 3 years



Technical sheet



| MODEL | A | B | C | D |
|-----------|-----------|-----------|-----|-----|
| 800x800 | 785-800 | 785-800 | 167 | 585 |
| 800x900 | 785-800 | 885-900 | 167 | 585 |
| 800x1000 | 785-800 | 985-1000 | 167 | 585 |
| 800x1200 | 785-800 | 1185-1200 | 167 | 585 |
| 900x800 | 885-900 | 785-800 | 267 | 585 |
| 900x900 | 885-900 | 885-900 | 267 | 585 |
| 900x1000 | 885-900 | 985-1000 | 267 | 585 |
| 900x1200 | 885-900 | 1185-1200 | 267 | 585 |
| 1000x800 | 985-1000 | 785-800 | 367 | 585 |
| 1000x900 | 985-1000 | 885-900 | 367 | 585 |
| 1000x1000 | 985-1000 | 985-1000 | 367 | 585 |
| 1000x1200 | 985-1000 | 1185-1200 | 367 | 585 |
| 1100x800 | 1085-1100 | 785-800 | 467 | 585 |
| 1100x900 | 1085-1100 | 885-900 | 467 | 585 |
| 1100x1000 | 1085-1100 | 985-1000 | 467 | 585 |
| 1100x1200 | 1085-1100 | 1185-1200 | 467 | 585 |
| 1200x800 | 1185-1200 | 785-800 | 567 | 585 |
| 1200x900 | 1185-1200 | 885-900 | 567 | 585 |
| 1200x1000 | 1185-1200 | 985-1000 | 567 | 585 |
| 1200x1200 | 1185-1200 | 1185-1200 | 567 | 585 |

