

TRINITY CHROME rectangular screen 1100x1000mm corner entry, matt glass

Order code: GT2210-11M-CH

Size

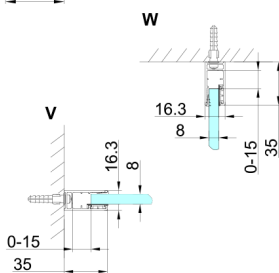
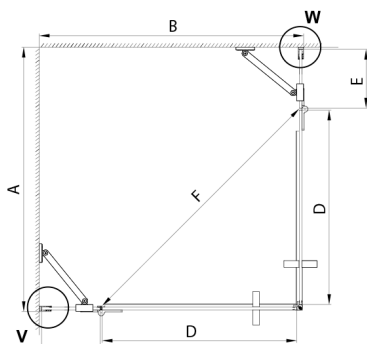
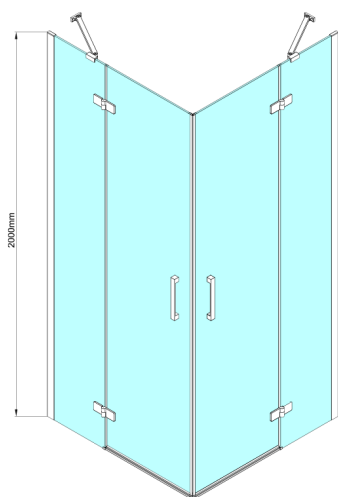
Width: 1100 mm
 Height: 2000 mm
 Depth: 1000 mm

Properties

Warranty: 3 years



Technical sheet



| MODEL | A | B | C | D | E | F |
|-----------|-----------|-----------|-----|-----|-----|-----|
| 800x800 | 785-800 | 785-800 | 167 | 585 | 167 | 840 |
| 800x900 | 785-800 | 885-900 | 267 | 585 | 167 | 840 |
| 800x1000 | 785-800 | 985-1000 | 367 | 585 | 167 | 840 |
| 800x1100 | 785-800 | 1085-1100 | 467 | 585 | 167 | 840 |
| 800x1200 | 785-800 | 1185-1200 | 567 | 585 | 167 | 840 |
| 900x900 | 885-900 | 885-900 | 267 | 585 | 267 | 840 |
| 900x1000 | 885-900 | 985-1000 | 367 | 585 | 267 | 840 |
| 900x1100 | 885-900 | 1085-1100 | 467 | 585 | 267 | 840 |
| 900x1200 | 885-900 | 1185-1200 | 567 | 585 | 267 | 840 |
| 1000x1000 | 985-1000 | 985-1000 | 367 | 585 | 367 | 840 |
| 1000x1100 | 985-1000 | 1085-1100 | 467 | 585 | 367 | 840 |
| 1000x1200 | 985-1000 | 1185-1200 | 567 | 585 | 367 | 840 |
| 1100x1100 | 1085-1100 | 1085-1100 | 467 | 585 | 467 | 840 |
| 1100x1200 | 1085-1100 | 1185-1200 | 567 | 585 | 467 | 840 |
| 1200x1200 | 1185-1200 | 1185-1200 | 567 | 585 | 567 | 840 |