

# TIGRA R Whirlpool Bath, 150x75x46cm, Active Hydro-Air, chrome



Order code: 72933.2010

## Basic information

Brand: Polysan  
Series: HYDROMASSAGE SYSTEMS

## Size

Length: 1500 mm  
Width: 750 mm  
Height: 460 mm  
Volume: 180 l

## Properties

Colour: White  
Colour options: According to the Swatch  
Material: Acrylate  
Shape: Asymmetric  
Installation: Built-in  
Waste diameter: 52 mm  
Whirlpool system: ACTIVE HYDRO AIR  
Weight / Piece: 47.06 kg  
Packaging: 1 Piece  
Warranty: 2 years



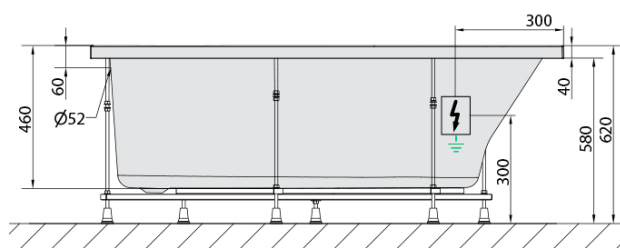
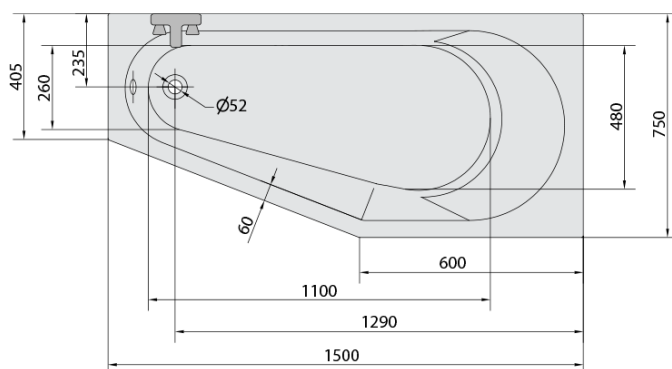
## We recommend buy

1 Piece      Sound insulation bath tape, 3m (Order code: 93400)

# TIGRA R Whirlpool Bath, 150x75x46cm, Active Hydro-Air, chrome



## Technical sheet



VOLUME 180L



Electric cable 3x2,5mm<sup>2</sup>  
Length 2m from the wall

Elektrický kabel 3x2,5mm<sup>2</sup>  
Délka kabelu ze zdi 2m

Electrical Characteristic:  
Tension: 220-230V/50hz  
Max. power consumption: 1200W  
Electric protection: residual-current device 30mA

Elektrické vlastnosti:  
Napětí: 220-230V/50hz  
Max. spotřeba: 1200W  
Elektrické jistění: proudový chránič 30mA