

ROSANA Whirlpool Bath, 150x150x49cm, Attraction Hydro-Air, chrome



Order code: 63119.4010

Basic information

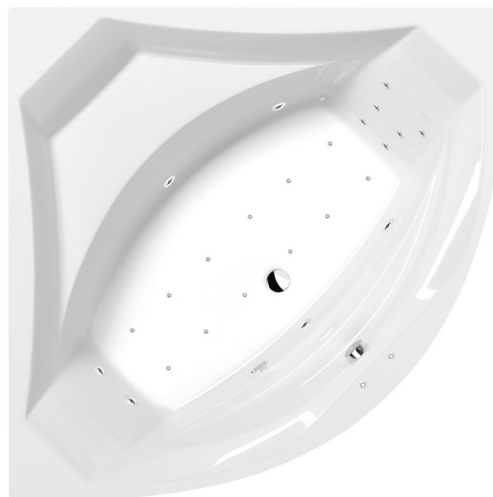
Brand: Polysan
Series: HYDROMASSAGE SYSTEMS

Size

Length: 1500 mm
Width: 1500 mm
Height: 490 mm
Volume: 365 l

Properties

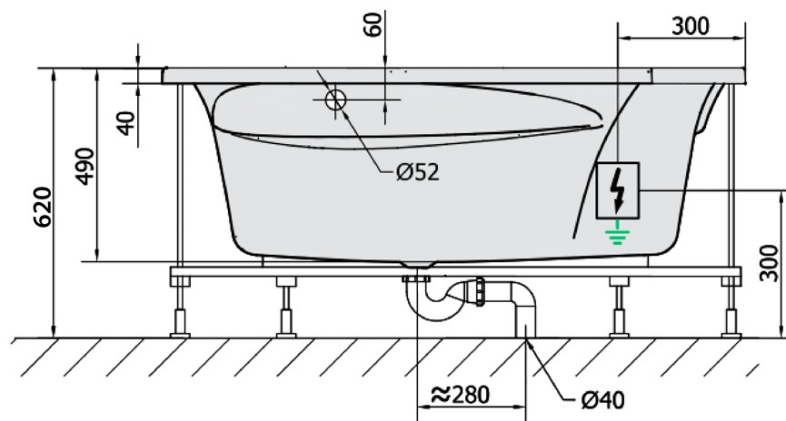
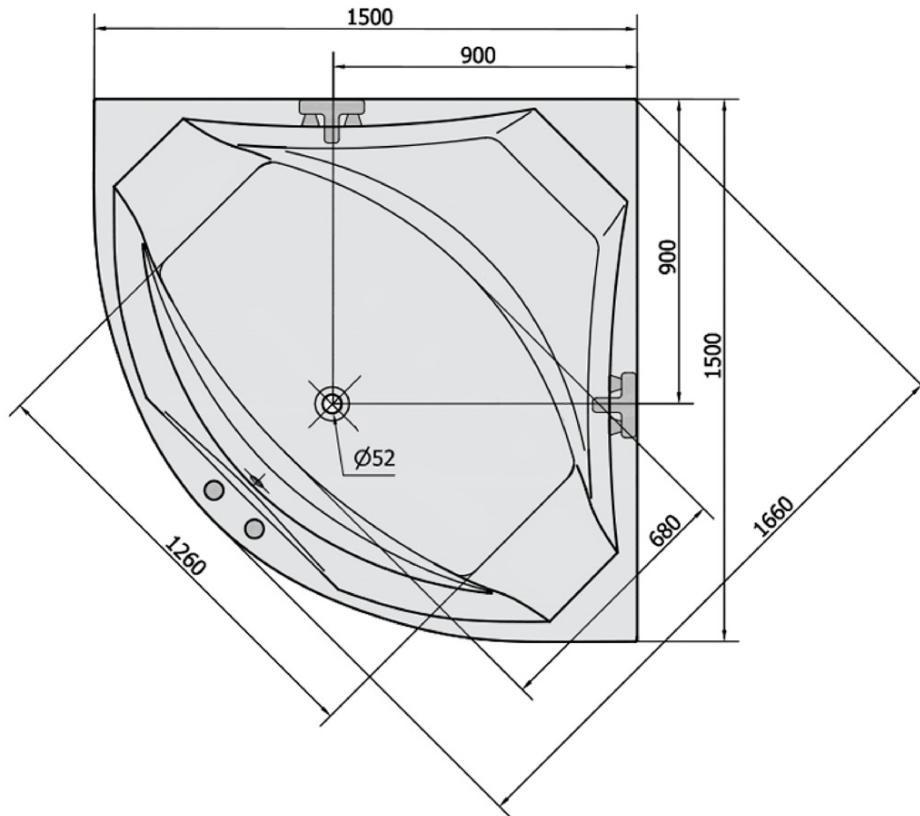
Colour: White
Material: Acrylate
Shape: Corner
Installation: Built-in
Waste diameter: 52 mm
Whirlpool system: ATTRACTION HYDRO AIR
Weight / Piece: 69.72 kg
Packaging: 1 Piece
Warranty: 2 years



We recommend buy

1 Piece Sound insulation bath tape, 3m (Order code: 93400)

Technical sheet



VOLUME 365L