

**PROJEKTAR Whirlpool Bath, 160x80x44cm,  
Attraction Hydro-Air, chrome**



**Order code:** 21111.4010

**Basic information**

**Brand:** Polysan  
**Series:** HYDROMASSAGE SYSTEMS

**Size**

**Length:** 1600 mm  
**Width:** 800 mm  
**Height:** 440 mm  
**Volume:** 185 l

**Properties**

**Colour:** White  
**Colour options:** According to the Swatch  
**Material:** Acrylate  
**Shape:** Asymmetric  
**Installation:** Built-in  
**Waste diameter:** 52 mm  
**Whirlpool system:** ATTRACTION HYDRO AIR  
**Weight / Piece:** 49.59 kg  
**Packaging:** 1 Piece  
**Warranty:** 2 years

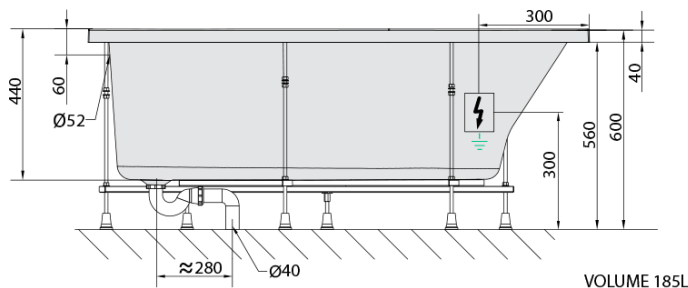
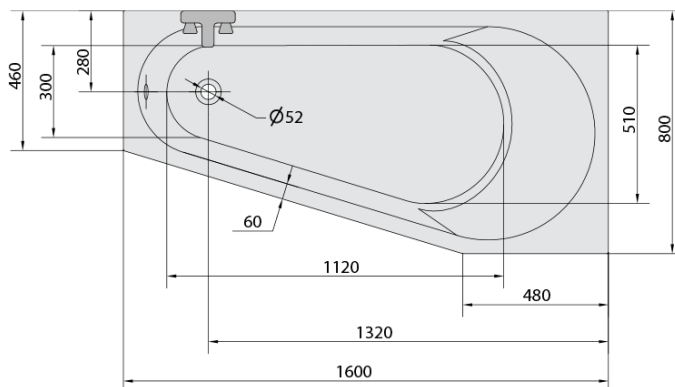



**We recommend buy**

1 Piece      Sound insulation bath tape, 3m (Order code: 93400)

PROJEKTAR Whirlpool Bath, 160x80x44cm,  
Attraction Hydro-Air, chrome

Technical sheet



- Electric cable 3x2,5mm<sup>2</sup>  
Lenght 2m from the wall
-  Elektrický kabel 3x2,5mm<sup>2</sup>  
Délka kabelu ze zdi 2m
- Electrical Characteristic:  
Tension: 220-230V/50hz  
Max. power consumption: 1200W  
Electric protection: residual-current device 30mA
- Elektrické vlastnosti:  
Napětí: 220-230V/50hz  
Max. spotřeba: 1200W  
Elektrické jistění: proudový chránič 30mA