

PROJEKTAR Whirlpool Bath, 160x80x44cm, Active Hydro-Air, chrome



Order code: 21111.2010

Basic information

Brand: Polysan
Series: HYDROMASSAGE SYSTEMS

Size

Length: 1600 mm
Width: 800 mm
Height: 440 mm
Volume: 185 l

Properties

Colour: White
Colour options: According to the Swatch
Material: Acrylate
Shape: Asymmetric
Installation: Built-in
Waste diameter: 52 mm
Whirlpool system: ACTIVE HYDRO AIR
Weight / Piece: 49.59 kg
Packaging: 1 Piece
Warranty: 2 years



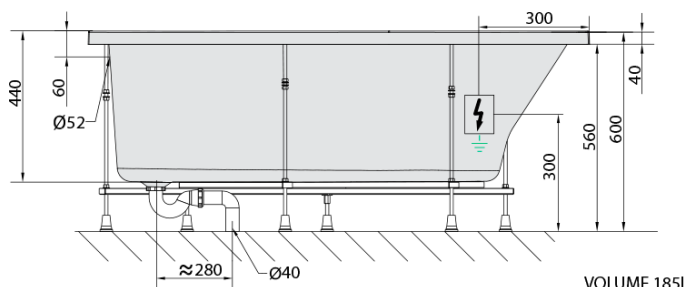
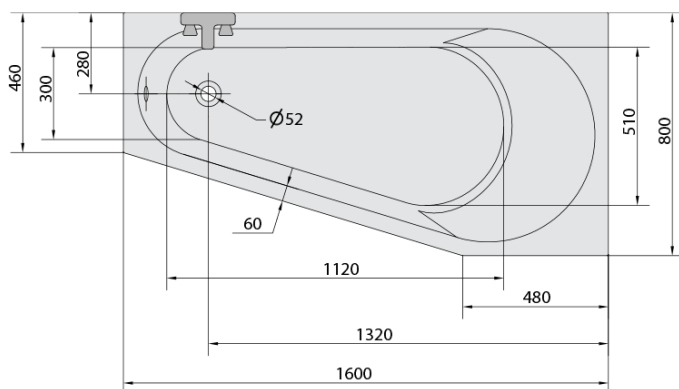
We recommend buy

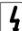
1 Piece Sound insulation bath tape, 3m (Order code: 93400)

PROJEKTA R Whirlpool Bath, 160x80x44cm, Active Hydro-Air, chrome



Technical sheet



- Electric cable 3x2,5mm²
Lenght 2m from the wall
-  Elektrický kabel 3x2,5mm²
Délka kabelu ze zdi 2m
- Electrical Characteristic:
Tension: 220-230V/50hz
Max. power consumption: 1200W
Electric protection: residual-current device 30mA
- Elektrické vlastnosti:
Napětí: 220-230V/50hz
Max. spotřeba: 1200W
Elektrické jistiění: proudový chránič 30mA