

# LISA Whirlpool Bath, 170x70x47cm, Active Hydro-Air, chrome



Order code: 87111.2010

## Basic information

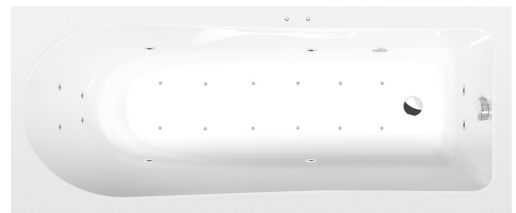
Brand: Polysan  
Series: HYDROMASSAGE SYSTEMS

## Size

Length: 1700 mm  
Width: 700 mm  
Height: 470 mm  
Volume: 250 l

## Properties

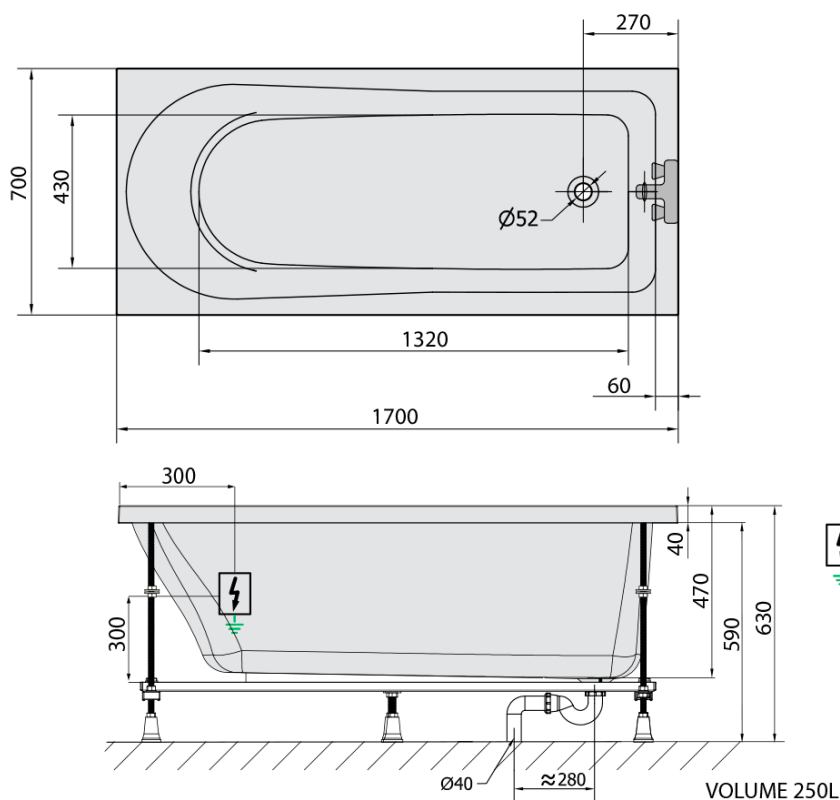
Colour: White  
Colour options: According to the Swatch  
Material: Acrylate  
Shape: Rectangular  
Installation: Built-in  
Waste diameter: 52 mm  
Whirlpool system: ACTIVE HYDRO AIR  
Weight / Piece: 49.65 kg  
Packaging: 1 Piece  
Warranty: 2 years



## We recommend buy

1 Piece      Sound insulation bath tape, 3m (Order code: 93400)

## Technical sheet



Electric cable 3x2,5mm<sup>2</sup>  
Lenght 2m from the wall

Elektrický kabel 3x2,5mm<sup>2</sup>  
Délka kabelu ze zdi 2m

Electrical Characteristic:  
Tension: 220-230V/50hz  
Max. power consumption: 1200W  
Electric protection: residual-current device 30mA

Elektrické vlastnosti:  
Napětí: 220-230V/50hz  
Max. spotřeba: 1200W  
Elektrické jištění: proudový chránič 30mA