

# EVIAL Whirlpool Bath, 170x100x47cm, Highline Hydro-Air, chrome



Order code: 21611.6010

## Basic information

Brand: Polysan  
Series: HYDROMASSAGE SYSTEMS

## Size

Length: 1700 mm  
Width: 1000 mm  
Height: 470 mm  
Volume: 255 l

## Properties

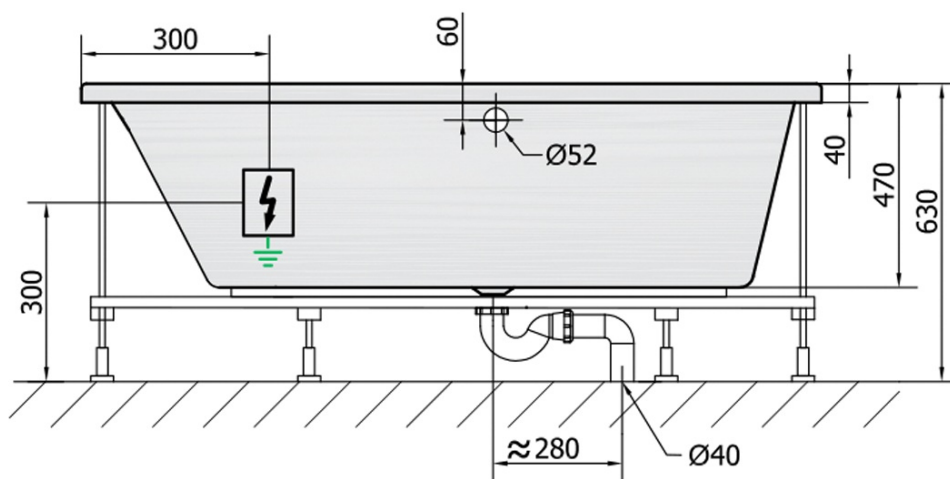
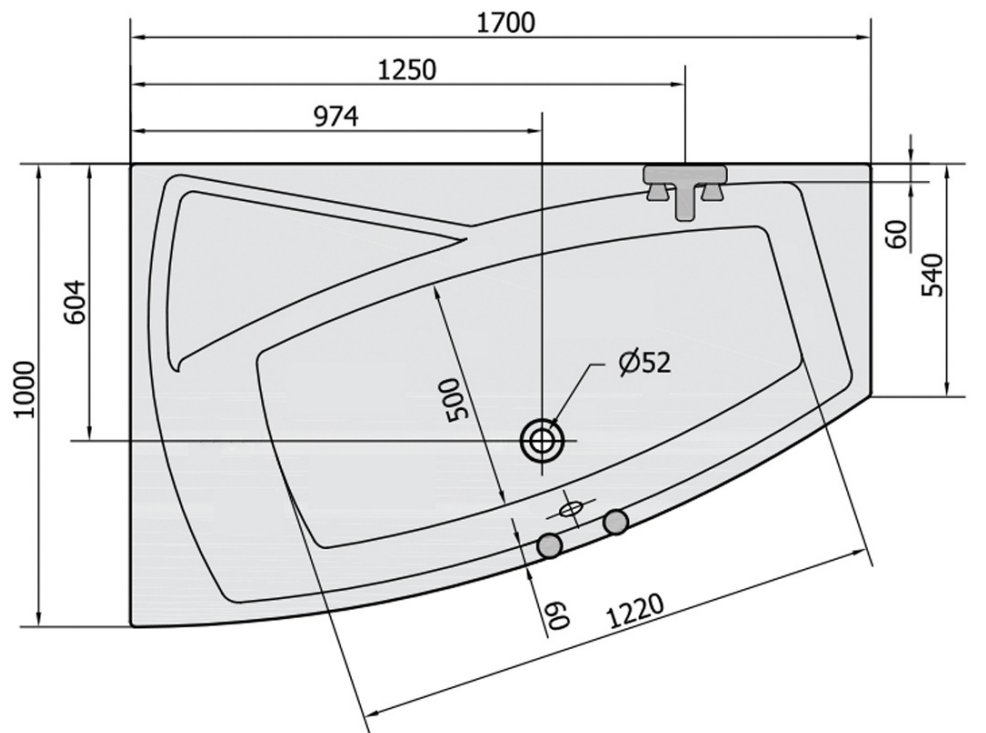
Colour: White  
Colour options: According to the Swatch  
Material: Acrylate  
Shape: Asymmetric  
Installation: Built-in  
Waste diameter: 52 mm  
Whirlpool system: HIGHLINE HYDRO AIR  
Weight / Piece: 58.78 kg  
Packaging: 1 Piece  
Warranty: 2 years



## We recommend buy

1 Piece      Sound insulation bath tape, 3m (Order code: 93400)

Technical sheet



VOLUME 255L