

## EVIAL Whirlpool Bath, 170x100x47cm, Highline Hydro-Air, chrome

Order code: 21611.6010

### Size

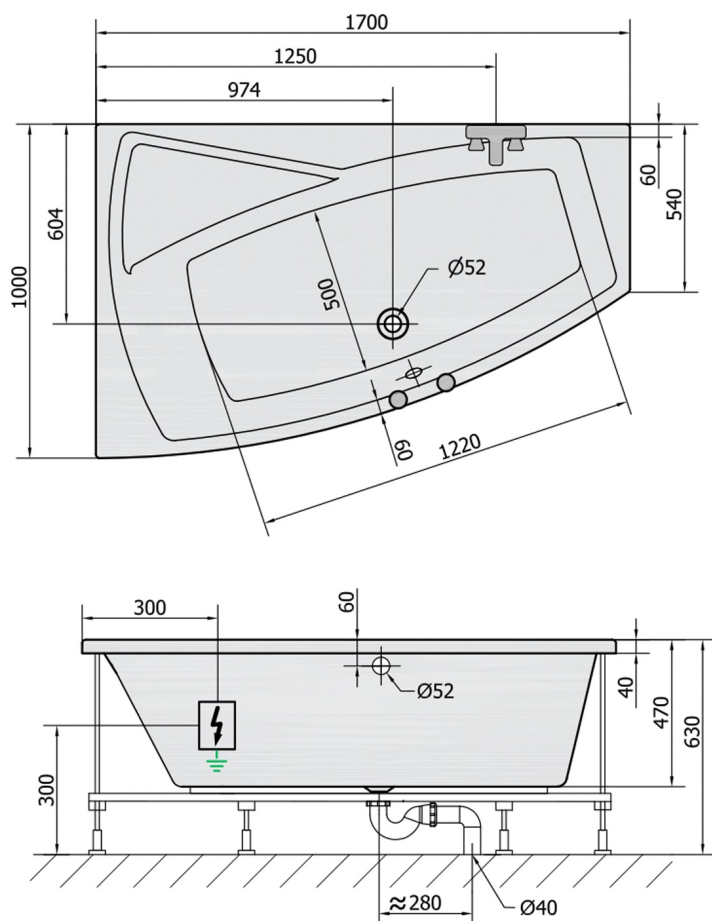
Length: 1700 mm  
 Width: 1000 mm  
 Height: 470 mm  
 Volume: 255 l

### Properties

Colour: White  
 Material: Acrylate  
 Warranty: 2 years



### Technical sheet



VOLUME 255L