

CLEO Whirlpool Bath, 160x75x48cm, Active Hydro-Air, chrome



Order code: 93611.2010

Basic information

Brand: Polysan
Series: HYDROMASSAGE SYSTEMS

Size

Length: 1600 mm
Width: 750 mm
Height: 480 mm
Volume: 230 l

Properties

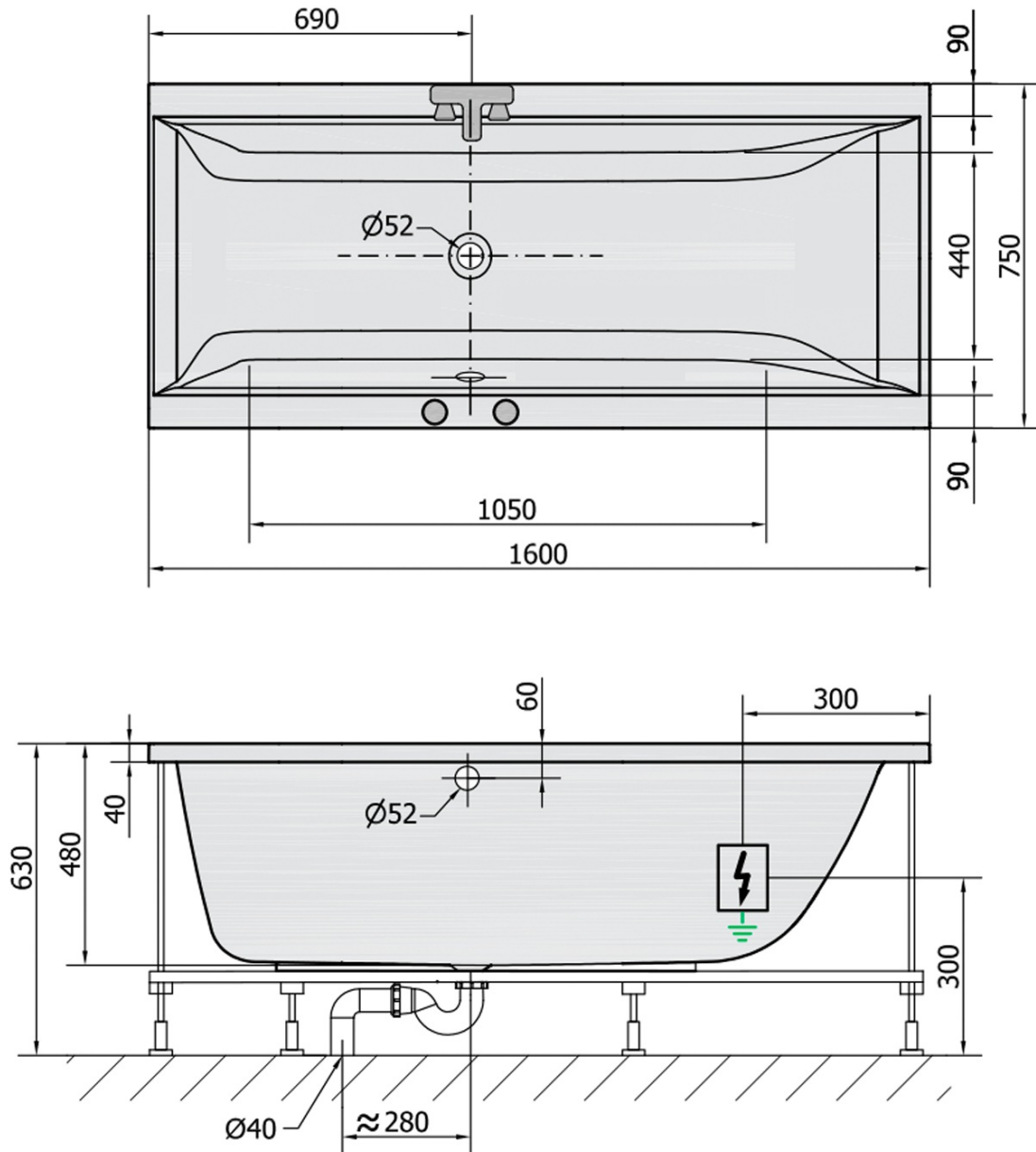
Colour: White
Colour options: According to the Swatch
Material: Acrylate
Shape: Rectangular
Installation: Built-in
Waste diameter: 52 mm
Whirlpool system: ACTIVE HYDRO AIR
Weight / Piece: 49.25 kg
Packaging: 1 Piece
Warranty: 2 years



We recommend buy

1 Piece Sound insulation bath tape, 3m (Order code: 93400)

Technical sheet



VOLUME 230L