

## ZOOM Rectangular screen 800x900mm, corner entry



**Order code:** ZL4815L-03

### Basic information

**Brand:** Polysan  
**Series:** ZOOM

### Size

**Width:** 800 mm  
**Height:** 2000 mm  
**Depth:** 900 mm

### Properties

**Profile colour:** Chrome - polished aluminum  
**Shape:** Rectangular with corner entry  
**Type of opening:** Folding door  
**Opening width:** 1048 mm  
**Glass colour:** TRANSPARENT glass  
**Glass finish:** Antidrop  
**Glass thickness:** 6 mm  
**Properties:** Frameless design, Opening outside and inside  
**Weight / Piece:** 62.0 kg  
**Packaging:** 2 Piece  
**Warranty:** 2 years

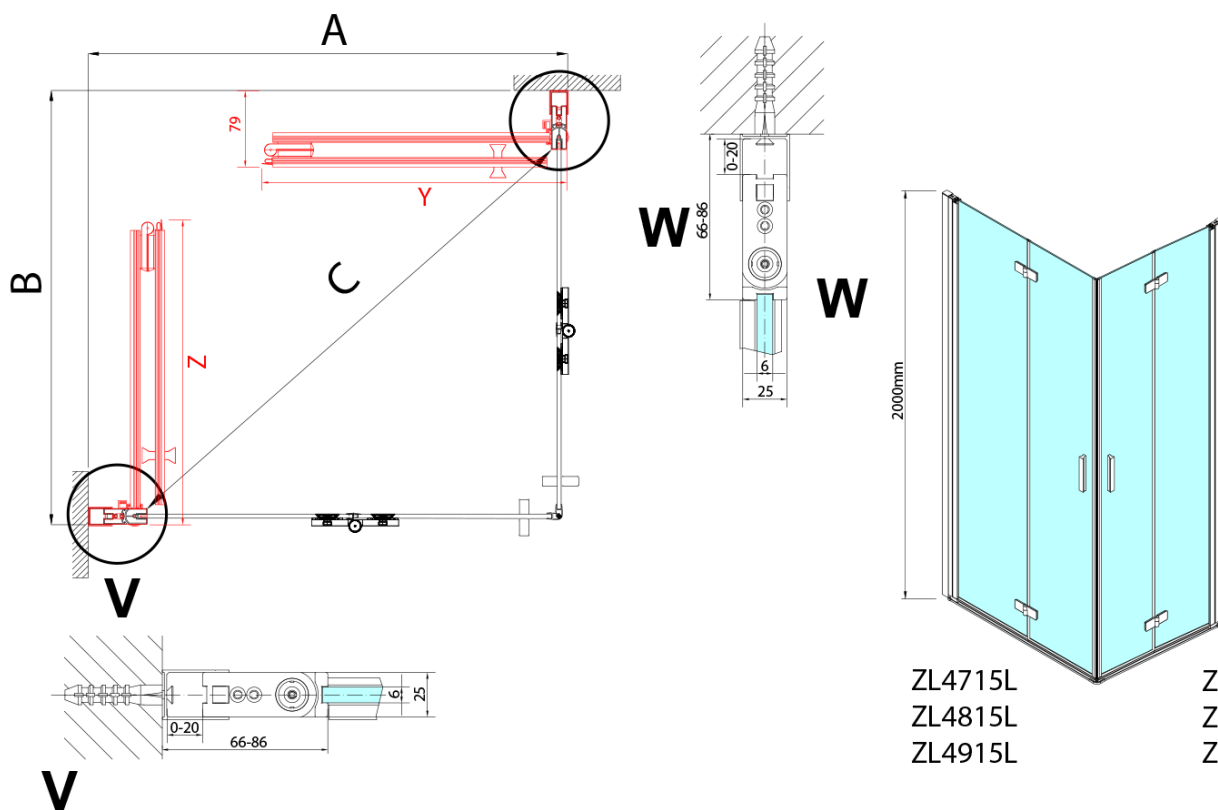


# ZOOM Rectangular screen 800x900mm, corner entry



## Technical sheet

Model L		Model R	A	B	C	Y	Z
ZL4715L	+	ZL4815R	670-690	770-790	907	378	339
ZL4715L	+	ZL4915R	670-690	870-890	978	438	339
ZL4815L	+	ZL4915R	770-790	870-890	1048	438	378
ZL4815L	+	ZL4715R	770-790	670-690	907	339	378
ZL4915L	+	ZL4715R	870-890	670-690	978	339	438
ZL4915L	+	ZL4815R	870-890	770-790	1048	378	438



ZL4715L  
ZL4815L  
ZL4915L

ZL4715R  
ZL4815R  
ZL4915R