

## DRAGON BLACK Shower Door 1600mm, clear glass



Order code: GD4616B

### Basic information

Brand: Gelco  
Series: DRAGON

### Size

Width: 1600 mm  
Height: 2000 mm

### Properties

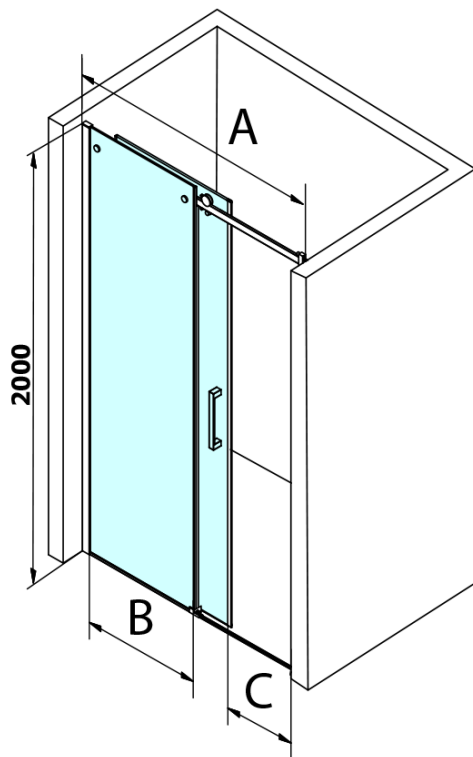
Profile colour: Black matt  
Shape: Alcove door  
Type of opening: Sliding door  
Opening direction: Versatile  
Opening width: 670 mm  
Glass colour: TRANSPARENT glass  
Glass finish: Coated glass  
Glass thickness: 8 mm  
Installation width from: 1520 mm  
Installation width up to: 1610 mm  
Properties: Frameless design  
Weight / Piece: 78.0 kg  
Packaging: 2 Piece  
Warranty: 3 years



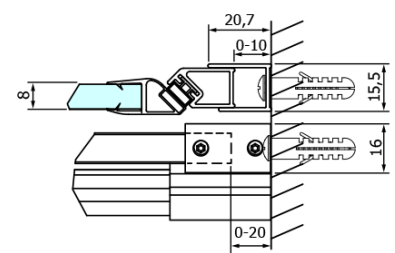
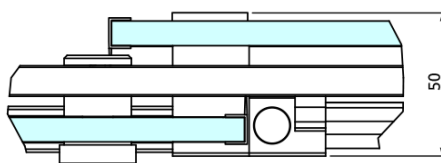
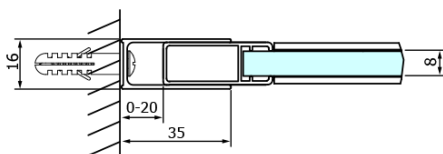
### Spare parts

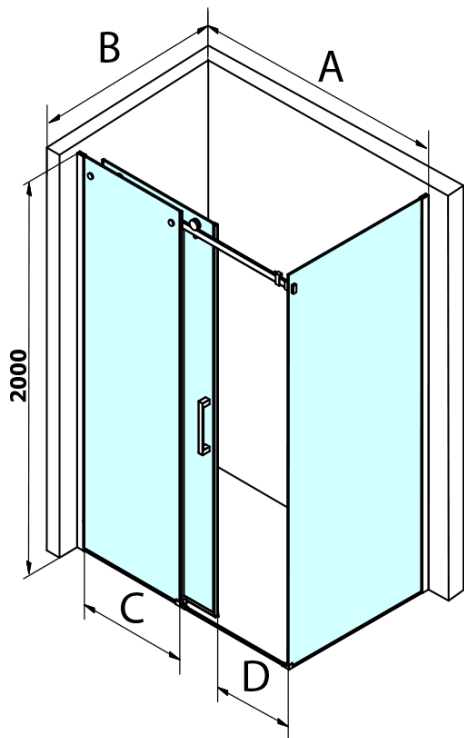
DRAGON mounting kit (Order code: NDGD04)  
DRAGON (Order code: NDGD05)

Technical sheet



MODEL	A	B	C
GD4611B	1020-1110	510	420
GD4612B	1120-1210	560	470
GD4613B	1220-1310	610	520
GD4614B	1320-1410	660	570
GD4615B	1420-1510	710	620
GD4616B	1520-1610	760	670





MODEL	A	C	D
GD4611B	1020-1110	510	420
GD4612B	1120-1210	560	470
GD4613B	1220-1310	610	520
GD4614B	1320-1410	660	570
GD4615B	1420-1510	710	620
GD4616B	1520-1610	760	670

MODEL	B
GD7280B	780-800
GD7290B	880-900

