

GINKO 35 washbasin mixer without pop up waste, ECO mixing cartridge, chrome



Order code: 1101-02-01

Basic information

Brand: Sapho
Series: GINKO

Size

Height: 176 mm
Depth: 128 mm

Properties

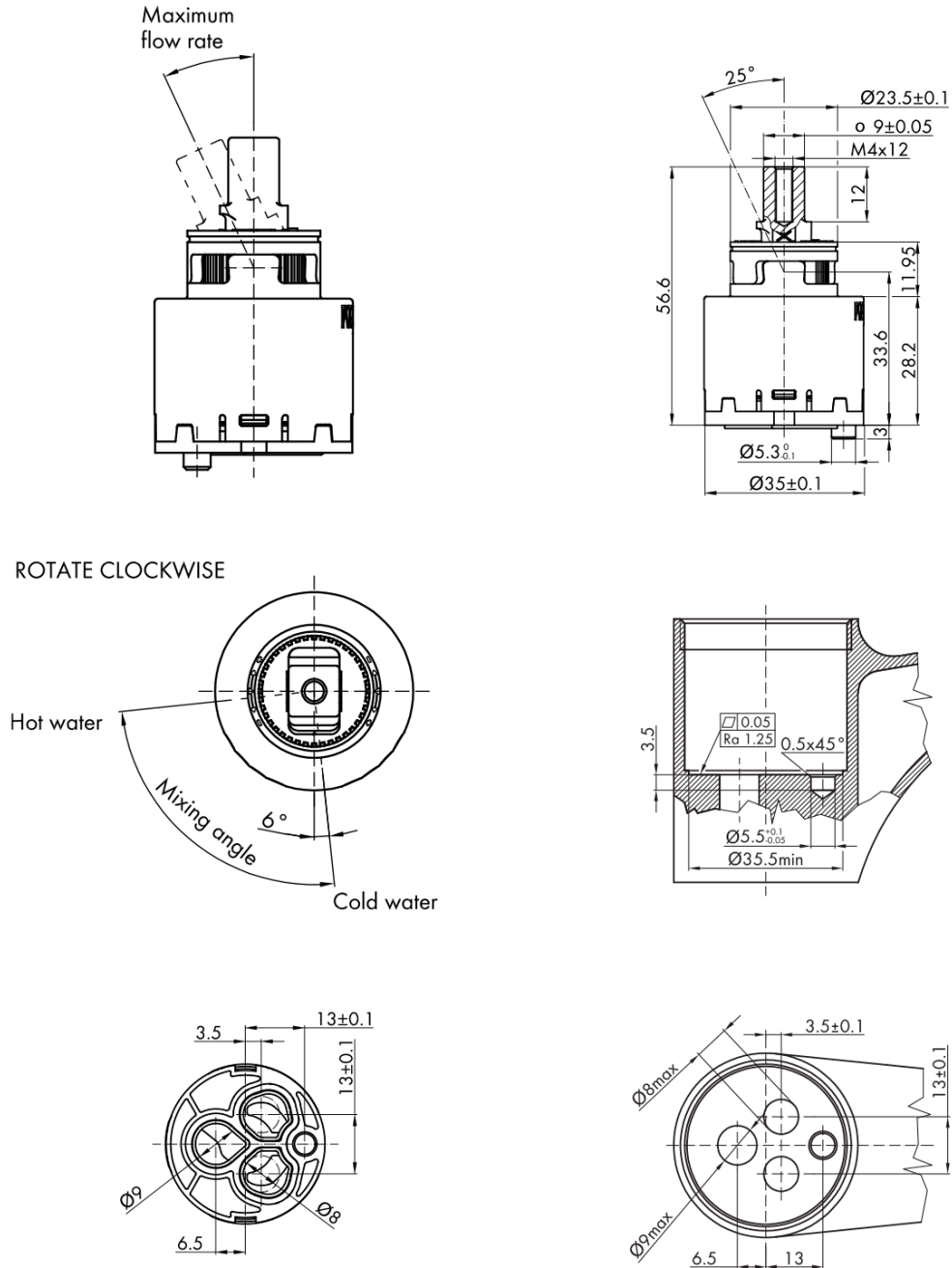
Colour: Chrome
Material: Brass
Shape: Square
Installation: Freestanding
Type of control: Lever
Cartridge diameter: 35 mm
Spout Height: 100 mm
Equipment: ECO cartridge
Weight / Piece: 2.011 kg
Packaging: 2 Piece



GINKO 35 washbasin mixer without pop up waste, ECO mixing cartridge, chrome



Technical sheet



GINKO 35 washbasin mixer without pop up waste, ECO
mixing cartridge, chrome

 **SAPHO**

