

Order code: 81111.40

## Basic information

Brand: Polysan

## Size

Length: 1700 mm

Width: 900 mm

Height: 450 mm

Volume: 258 l

## Properties

Colour: Beige

Material: Acrylate

Shape: Asymmetric

Installation: Built-in

Waste diameter: 52 mm

Properties: Edge height 40 mm (Standard)

Weight / Piece: 31.69 kg

Packaging: 1 Piece

Warranty: 10 years



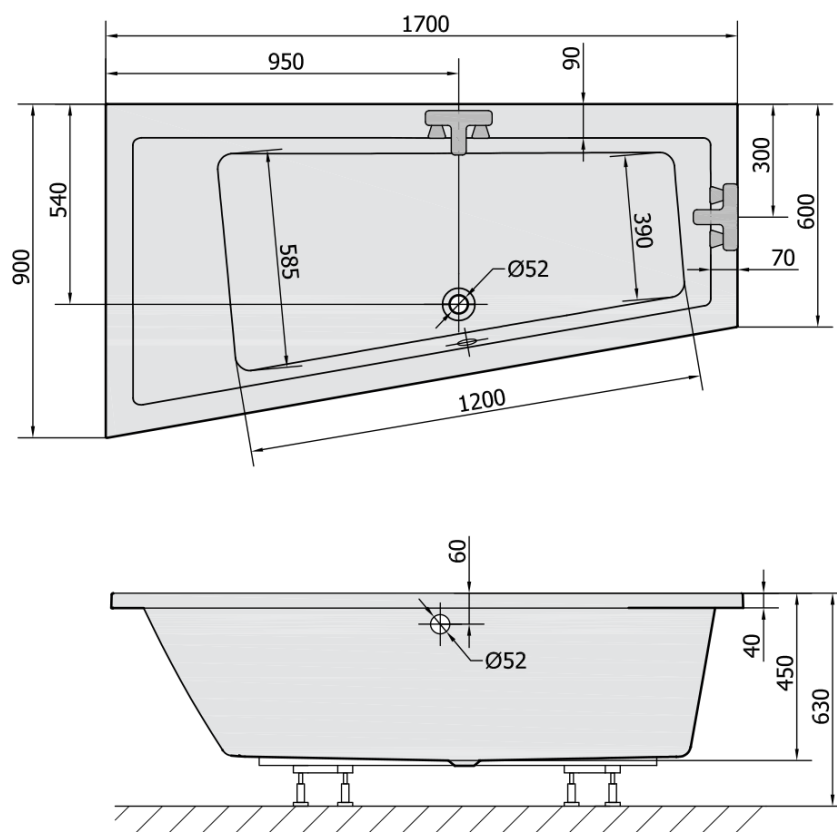
## We recommend buy

1 Piece Bath Support Legs for Acrylic Bath Polysan, 51,5-74,5cm, Pair (Order code: PO60-80)

1 Piece Bath Trap 6/4", height: 42mm, DN40 (Order code: 71712)

1 Piece Sound insulation bath tape, 3m (Order code: 93400)

Technical sheet



VOLUME 258L