

Order code: 71710.40

Basic information

Brand: Polysan

Size

Length: 1800 mm

Width: 800 mm

Height: 390 mm

Volume: 249 l

Properties

Colour: Beige

Material: Acrylate

Shape: Rectangular

Installation: Built-in

Waste diameter: 52 mm

Properties: Bilateral, Edge height 40 mm (Standard)

Weight / Piece: 20.0 kg

Packaging: 1 Piece

Warranty: 10 years



We recommend buy

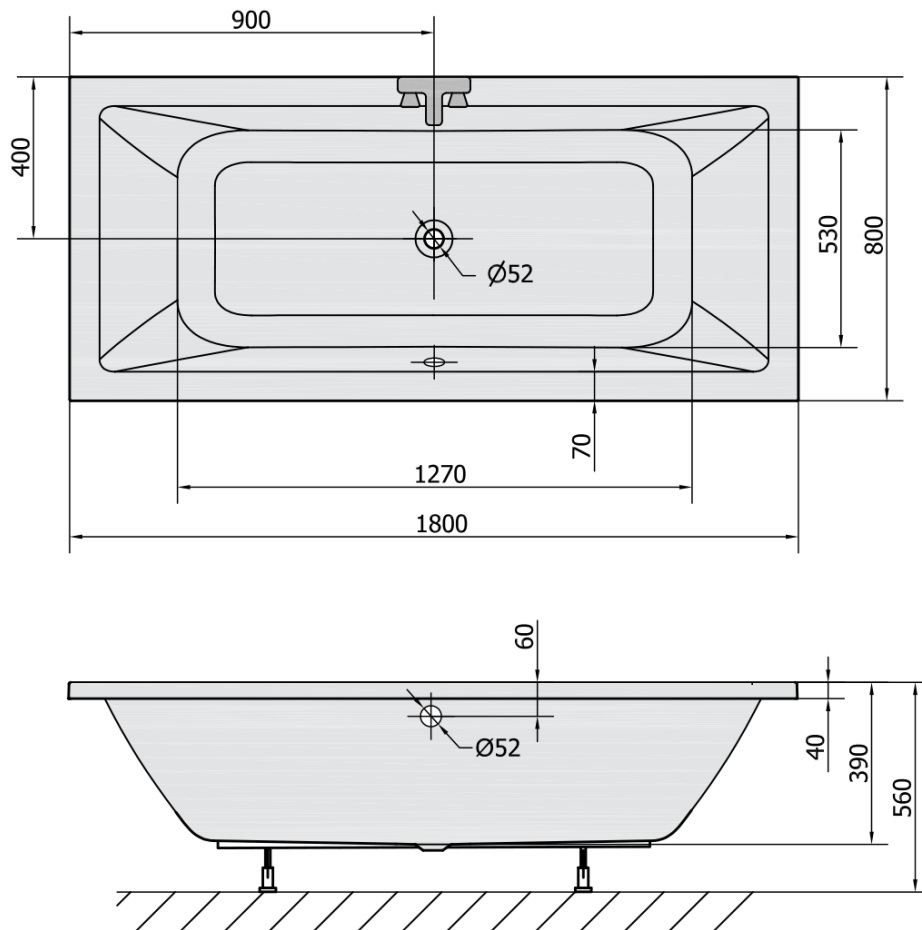
1 Piece Bath Trap 6/4", height: 42mm, DN40 (Order code: 71712)

1 Piece Sound insulation bath tape, 3m (Order code: 93400)

1 Piece Bath Support Legs for Acrylic Bath Polysan, 51,5cm, Pair (Order code: PO60-60)

1 Piece Pop Up Bath Waste (L) 775mm, Plug 72mm, Chrome (Order code: 71681)

Technical sheet



VOLUME 249L