

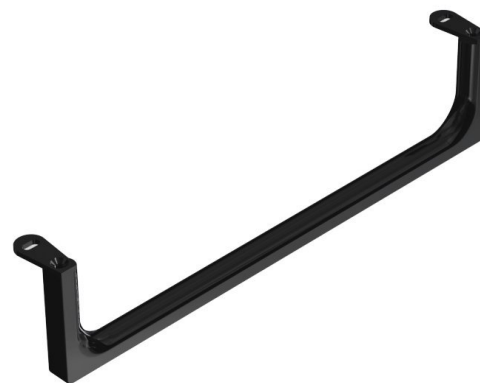
# NUBES towel holder 50cm, black matt



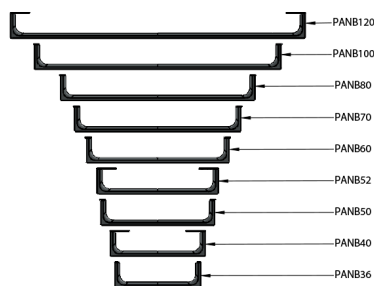
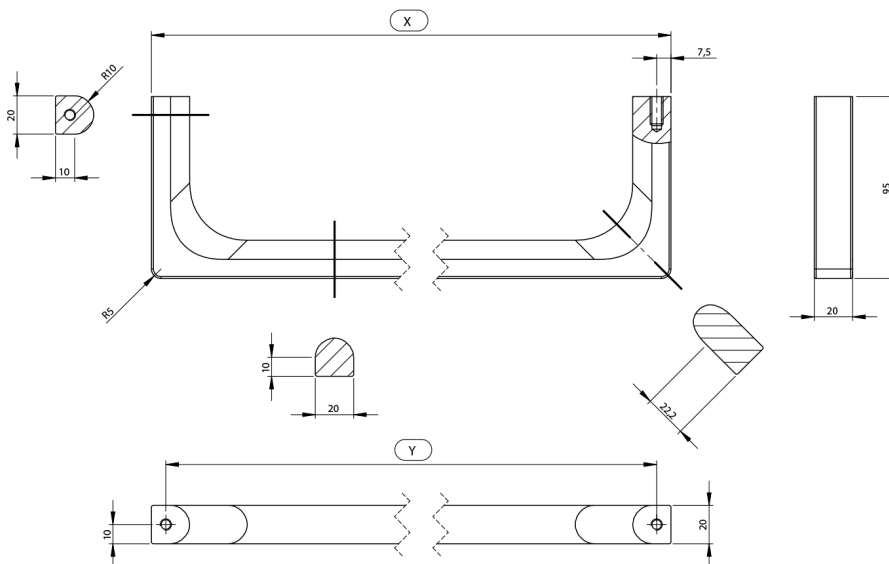
Order code: PANB50N

Size  
Length: 500 mm

Properties  
Colour: Black  
Warranty: 2 years



## Technical sheet



Varianta	X [mm]	Y [mm]
PANB120	1130	1115
PANB100	945	930
PANB80	745	730
PANB70	638	623
PANB60	548	533
PANB52	465	450
PANB50	438	423
PANB40	365	350
PANB36	330	315