

VARIO board HPL Kara 1200x2000mm



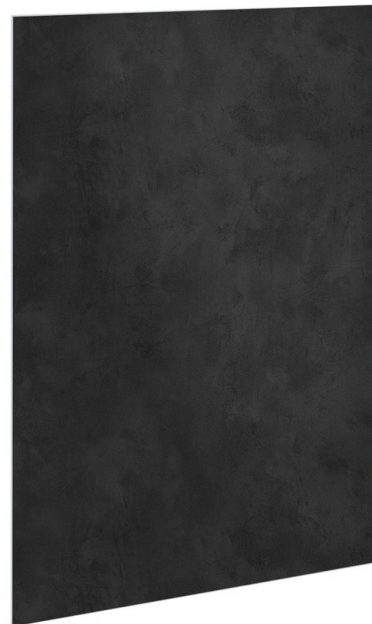
Order code: GX2612

Size

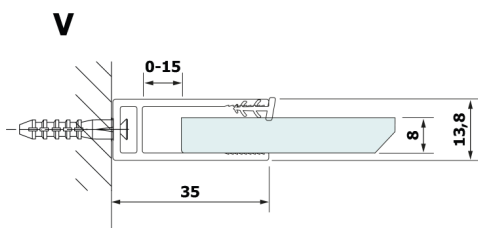
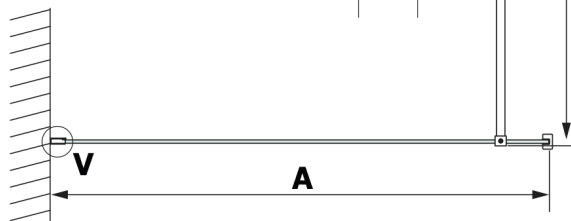
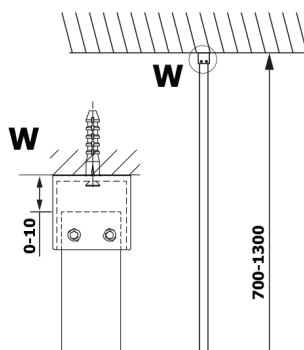
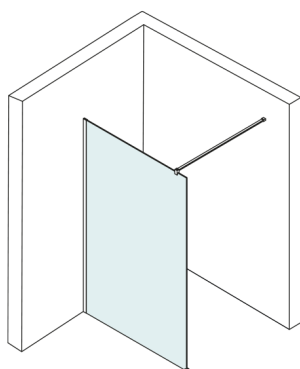
Width: 1200 mm
Height: 2000 mm

Properties

Warranty: 2 years



Technical sheet



MODEL	A
GX2670	685-700
GX2680	785-800
GX2690	885-900
GX2610	985-1000
GX2611	1085-1100
GX2612	1185-1200
GX2613	1285-1300