

## WICHER COMBI thermostatic valve set for middle connection 50mm, white

**BRUCKNER**

Order code: 600.331.4

### Basic information

Brand: Bruckner

### Properties

Colour: White

Heating type: Combined heating - Electric/Central

Equipment: Center connection 50 mm, Thermostat, Thermostat, head left, Thermostat, head right

Weight / Piece: 1.3 kg

Warranty: 2 years

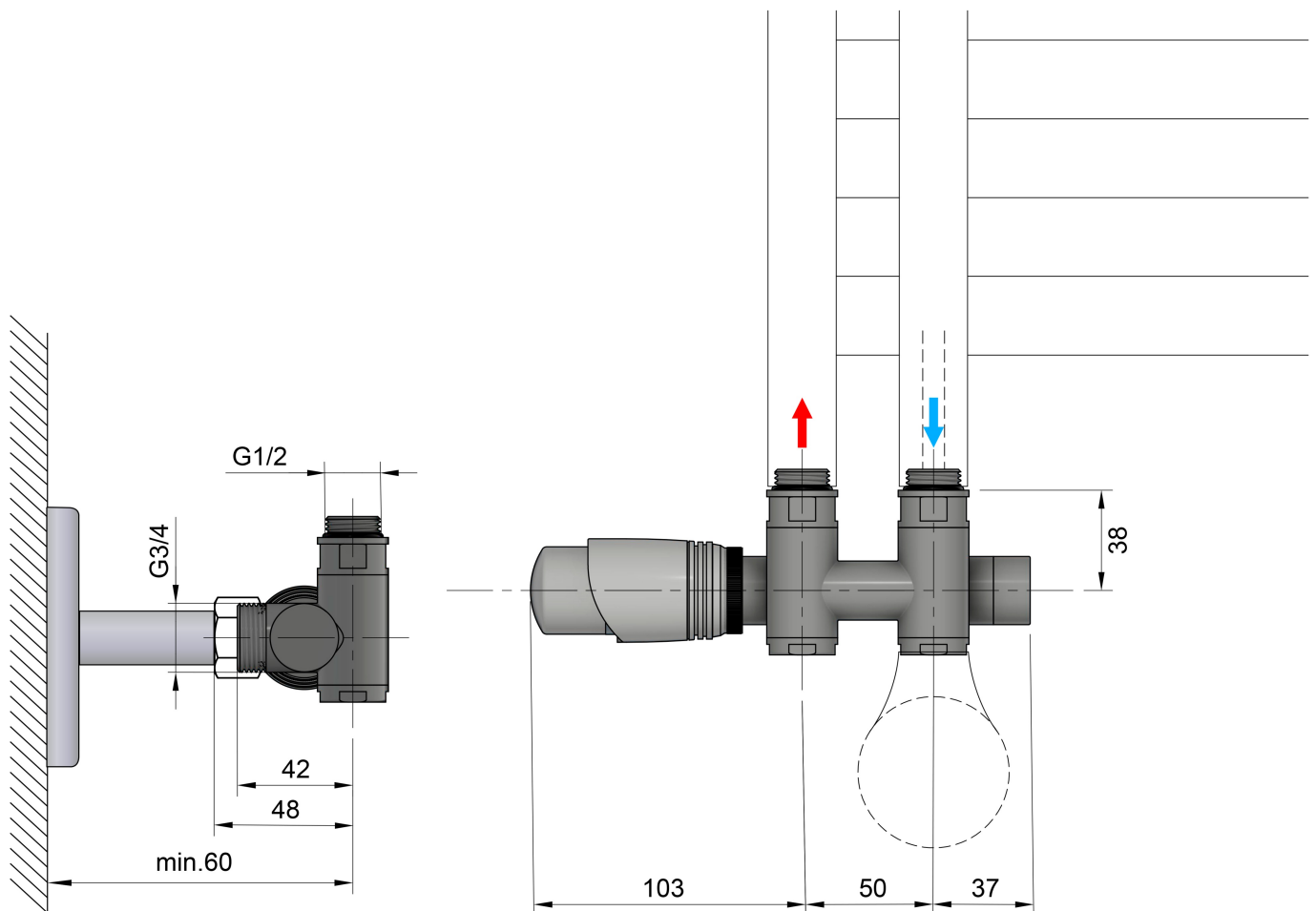


### We recommend buy

1 Piece WICHER cover rosette for middle connection 50mm, white (Order code: 600.315.4)

WICHER COMBI thermostatic valve set for middle connection 50mm, white

Technical sheet



WICHER COMBI thermostatic valve set for middle connection 50mm, white

