

## FORTIS EDGE alcove shower door 900mm, clear glass, right



Order code: FL1690R

### Basic information

Brand: Polysan  
Series: FORTIS EDGE

### Size

Width: 900 mm  
Height: 2000 mm

### Properties

Profile colour: Chrome - polished aluminum  
Shape: Alcove door  
Type of opening: Single pivot door  
Opening direction: Right  
Opening width: 540 mm  
Glass colour: TRANSPARENT glass  
Glass finish: Antidrop  
Glass thickness: 8 mm  
Installation width from: 890 mm  
Installation width up to: 905 mm  
Properties: Frameless design  
Weight / Piece: 74.0 kg  
Packaging: 1 Piece  
Warranty: 2 years

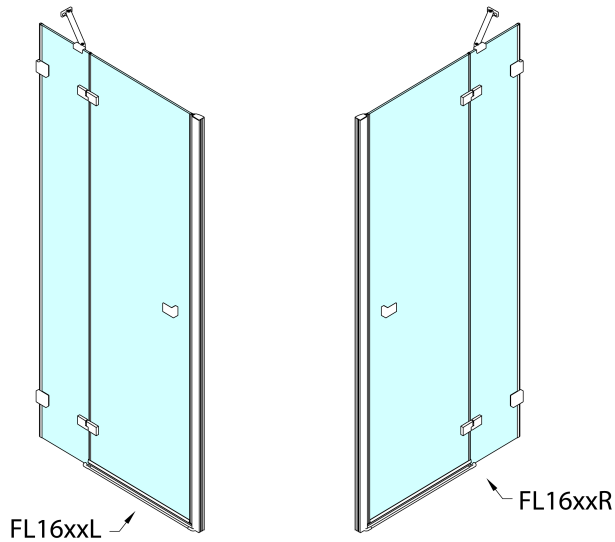


### Spare parts

Acrylic seal glass/floor (shower tray), length 1000mm for 8mm glass (Order code: 309D-08)  
Acrylic gasket between glass 8mm, flag (Order code: NDFL0503)  
FORTIS magnet FORTIS, 1ks (Order code: NDFL0342)

**FORTIS EDGE alcove shower door 900mm, clear glass, right**

**Technical sheet**



	A (mm)	B (mm)
FL1680	790-805	≈ 190
FL1690	890-905	≈ 290
FL1610	990-1005	≈ 390
FL1611	1090-1105	≈ 490
FL1612	1190-1205	≈ 590

CZ: Stavební připravenost pro montáž na dlažbu kóty A= vzdálenost mezi zdmi.

EN: Construction readiness for floor mounting dimension A= distance between walls.

