

## BEBÉ concealed basin mixer, gold



Order code: BB018/17

### Basic information

Brand: Sapho

Series: BEBÉ

### Size

Width: 170 mm

Height: 60 mm

Depth: 178 mm

### Properties

Colour: Gold

Material: Brass

Shape: Design

Installation: Concealed

Type of control: Lever

Cartridge diameter: 35 mm

Weight / Piece: 3.063 kg

Packaging: 1 Piece

Warranty: 6 years

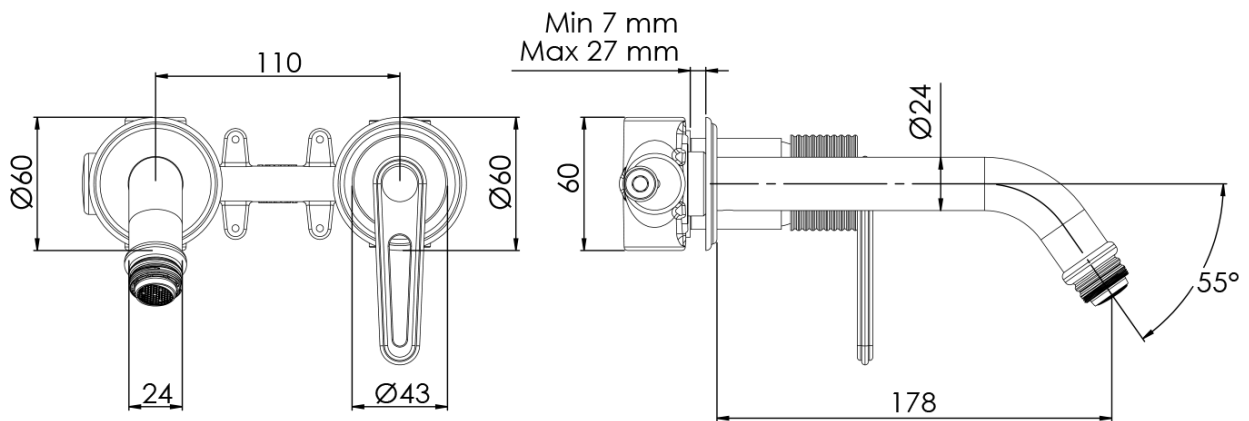


### Spare parts

KEROX ECO Replacement Cartridge dia 35mm, low (Order code: 2121B2)

KEROX Replacement Cartridge dia 35mm, low (Order code: 2121B)

Technical sheet



ENTRATA ACQUA FREDDA  
COLD WATER INLET  
G1/2"

ENTRATA ACQUA CALDA  
HOT WATER INLET  
G1/2"

