

## BEBÉ concealed basin mixer, gold

 **SAPHO**

**Order code:** BB018/17

### Basic information

**Brand:** Sapho  
**Series:** BEBÉ

### Size

**Width:** 170 mm  
**Height:** 60 mm  
**Depth:** 178 mm

### Properties

**Colour:** Gold  
**Material:** Brass  
**Shape:** Design  
**Installation:** Concealed  
**Type of control:** Lever  
**Cartridge diameter:** 35 mm  
**Weight / Piece:** 3.063 kg  
**Packaging:** 1 Piece  
**Warranty:** 6 years

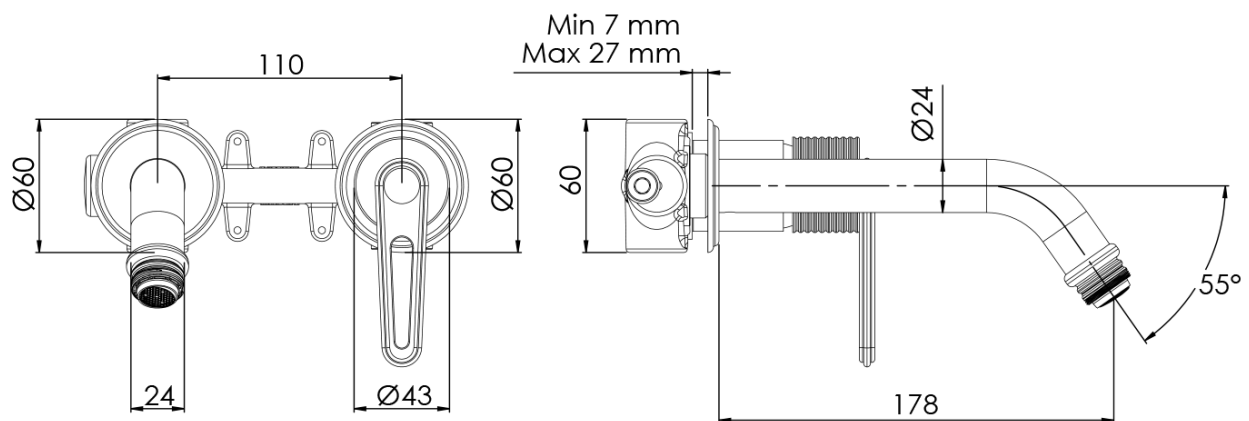


### Spare parts

KEROX ECO Replacement Cartridge dia 35mm, low (Order code: 2121B2)

KEROX Replacement Cartridge dia 35mm, low (Order code: 2121B)

Technical sheet



ENTRATA ACQUA FREDDA  
COLD WATER INLET  
G1/2"

ENTRATA ACQUA CALDA  
HOT WATER INLET  
G1/2"

