

BEBÉ concealed basin mixer, gold



Order code: BB018/17

Basic information

Brand: Sapho
Series: BEBÉ

Size

Width: 170 mm
Height: 60 mm
Depth: 178 mm

Properties

Colour: Gold
Material: Brass
Shape: Design
Installation: Concealed
Type of control: Lever
Cartridge diameter: 35 mm
Weight / Piece: 3.063 kg
Packaging: 1 Piece
Warranty: 6 years

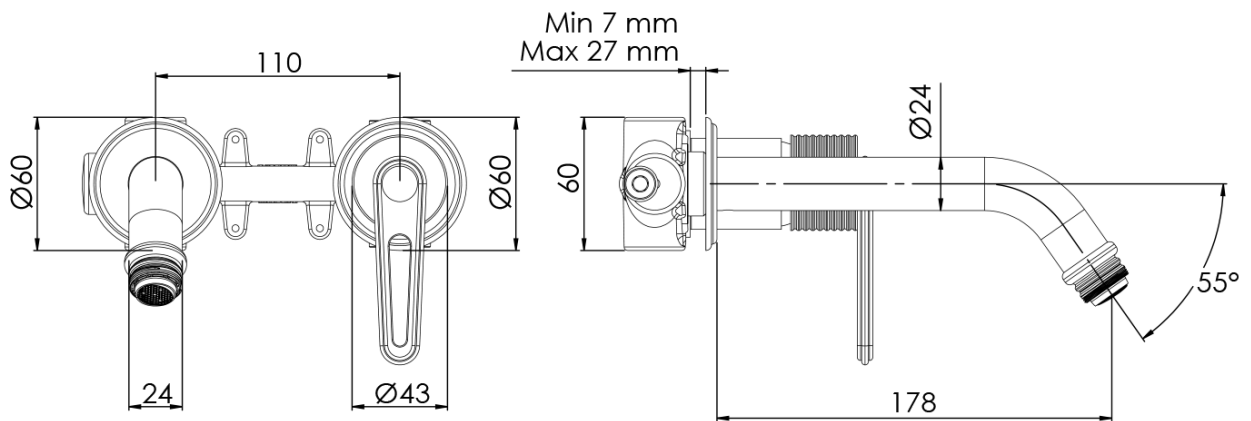


Spare parts

KEROX ECO Replacement Cartridge dia 35mm, low (Order code: 2121B2)

KEROX Replacement Cartridge dia 35mm, low (Order code: 2121B)

Technical sheet



ENTRATA ACQUA FREDDA
COLD WATER INLET
G1/2"

ENTRATA ACQUA CALDA
HOT WATER INLET
G1/2"

