

BEBÉ concealed basin mixer, gold

 **SAPHO**

Order code: BB018/17

Basic information

Brand: Sapho

Series: BEBÉ

Size

Width: 170 mm

Height: 60 mm

Depth: 178 mm

Properties

Colour: Gold

Material: Brass

Shape: Design

Installation: Concealed

Type of control: Lever

Cartridge diameter: 35 mm

Weight / Piece: 3.063 kg

Packaging: 1 Piece

Warranty: 6 years

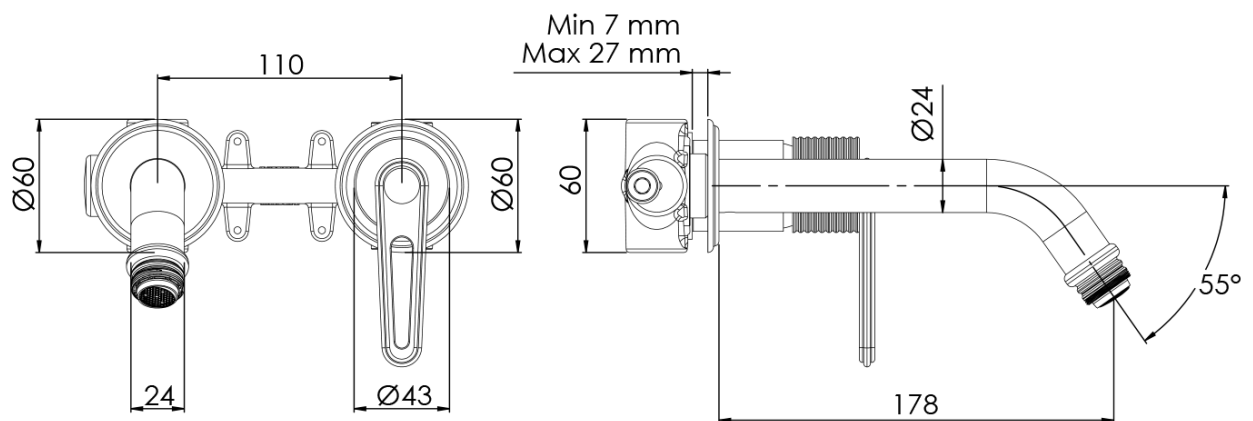


Spare parts

KEROX ECO Replacement Cartridge dia 35mm, low (Order code: 2121B2)

KEROX Replacement Cartridge dia 35mm, low (Order code: 2121B)

Technical sheet



ENTRATA ACQUA FREDDA
COLD WATER INLET
G1/2"

ENTRATA ACQUA CALDA
HOT WATER INLET
G1/2"

