

**Order code:** FT118/14

## Basic information

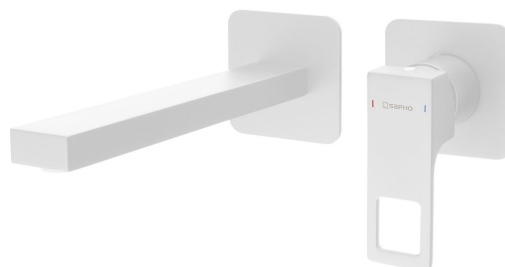
**Brand:** Sapho  
**Series:** FORATA

## Size

**Width:** 190 mm  
**Height:** 80 mm  
**Depth:** 218 mm

## Properties

**Colour:** White matt  
**Material:** Brass  
**Shape:** Square  
**Installation:** Concealed  
**Type of control:** Lever  
**Cartridge diameter:** 35 mm  
**Weight / Piece:** 3.063 kg  
**Packaging:** 1 Piece  
**Warranty:** 6 years

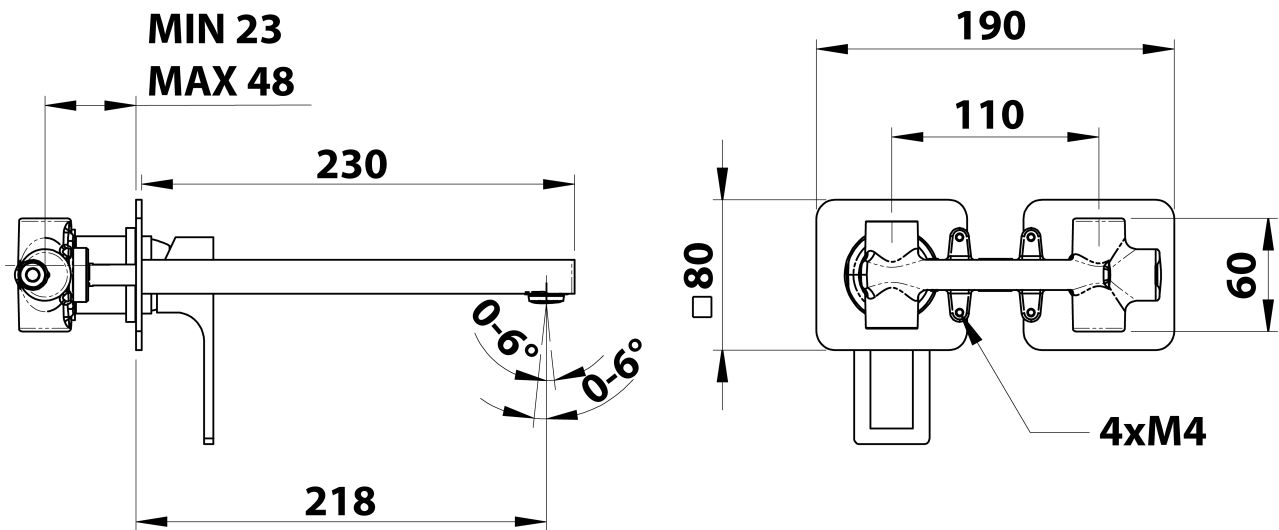


## Spare parts

KEROX ECO Replacement Cartridge dia 35mm, low (Order code: 2121B2)

KEROX Replacement Cartridge dia 35mm, low (Order code: 2121B)

Technical sheet



**COLD WATER**  
**G1/2"**

**HOT WATER**  
**G1/2"**

