

FORATA Concealed Washbasin Mixer Tap, white matt



Order code: FT118/14

Basic information

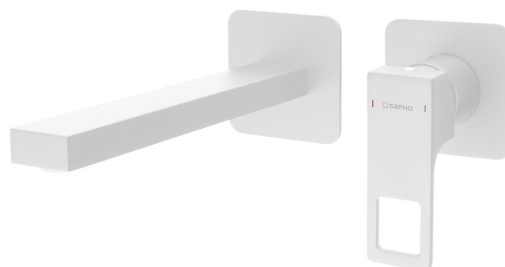
Brand: Sapho
Series: FORATA

Size

Width: 190 mm
Height: 80 mm
Depth: 218 mm

Properties

Colour: White matt
Material: Brass
Shape: Square
Installation: Concealed
Type of control: Lever
Cartridge diameter: 35 mm
Weight / Piece: 3.063 kg
Packaging: 1 Piece
Warranty: 6 years

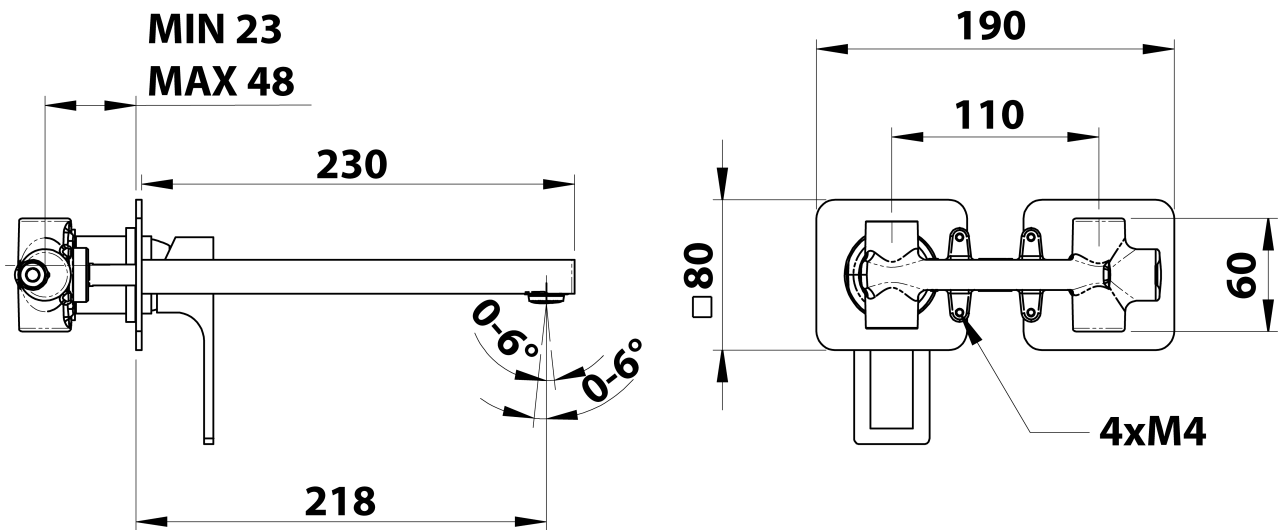


Spare parts

KEROX ECO Replacement Cartridge dia 35mm, low (Order code: 2121B2)

KEROX Replacement Cartridge dia 35mm, low (Order code: 2121B)

Technical sheet



COLD WATER
G1/2"

HOT WATER
G1/2"

