

SPITZA shower enclosure WALK-IN, 900mm

BRUCKNER

Order code: 750.090.1

Basic information

Brand: Bruckner
Series: SPITZA

Size

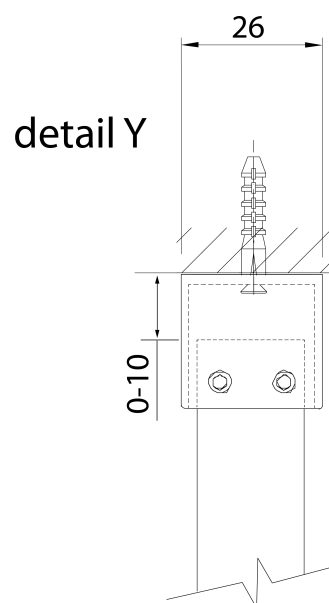
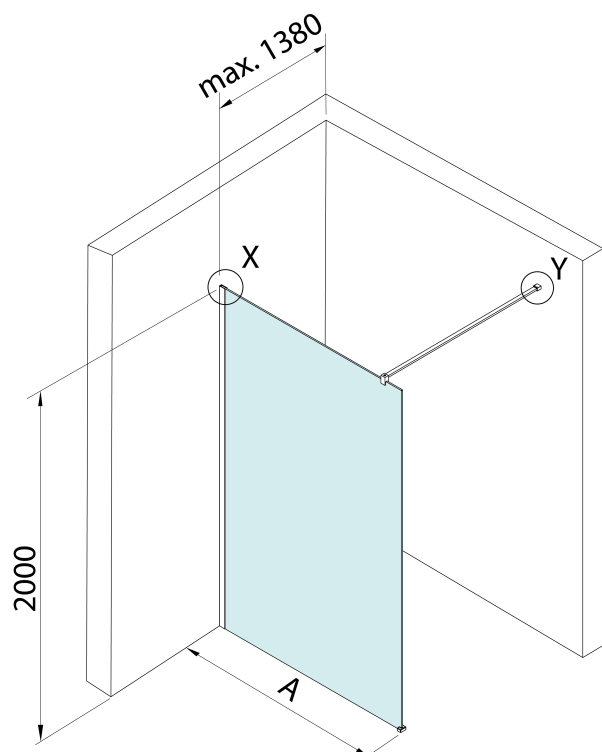
Height: 2000 mm
Depth: 900 mm

Properties

Profile colour: Chrome - polished aluminum
Shape: Single-wall fixed screen
Glass colour: TRANSPARENT glass
Glass thickness: 8 mm
Weight / Piece: 39.0 kg
Packaging: 1 Piece
Warranty: 2 years



Technical sheet



detail X



MODEL	A
750.080.1	785-800
750.090.1	885-900
750.100.1	985-1000
750.110.1	1085-1100
750.120.1	1185-1200