

# FORATA Concealed Washbasin Mixer Tap, 20cm, chrome



Order code: FT018

## Basic information

Brand: Sapho  
Series: FORATA

## Size

Width: 190 mm  
Height: 80 mm  
Depth: 188 mm

## Properties

Colour: Chrome  
Material: Brass  
Shape: Square  
Installation: Concealed  
Type of control: Lever  
Cartridge diameter: 35 mm  
Weight / Piece: 3.063 kg  
Packaging: 1 Piece  
Warranty: 6 years



## Spare parts

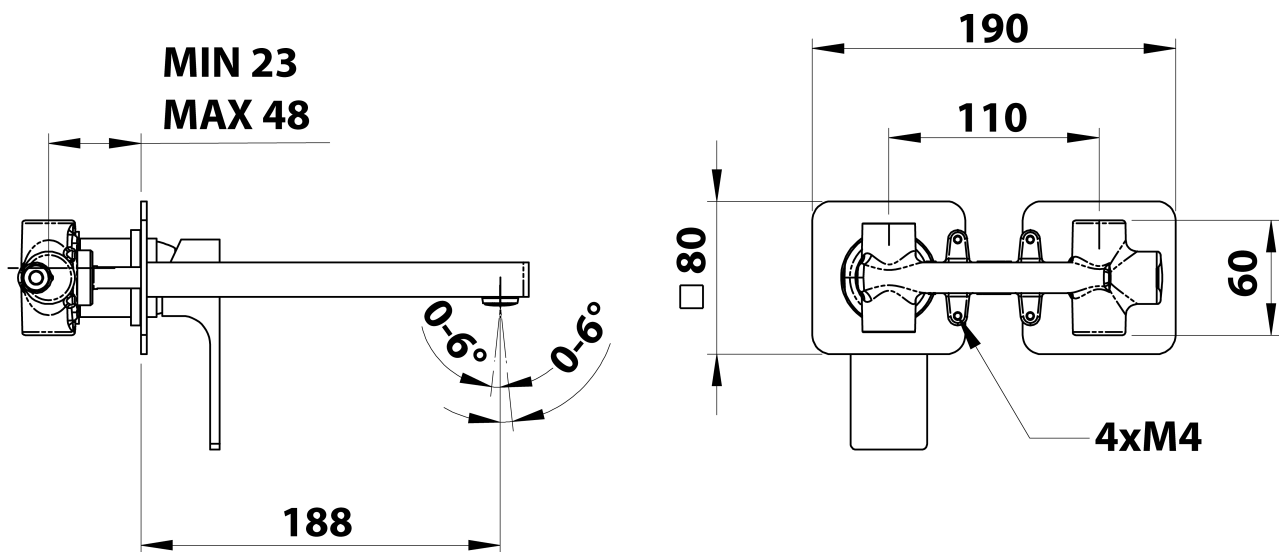
KEROX ECO Replacement Cartridge dia 35mm, low (Order code: 2121B2)

KEROX Replacement Cartridge dia 35mm, low (Order code: 2121B)

FORATA Concealed Washbasin Mixer Tap, 20cm,  
chrome



Technical sheet



COLD WATER  
G1/2"

HOT WATER  
G1/2"

