

ANTIQUE Rectangular screen 900x1000 mm, L variant



Order code: GQ1290LCGQ5610C

Size

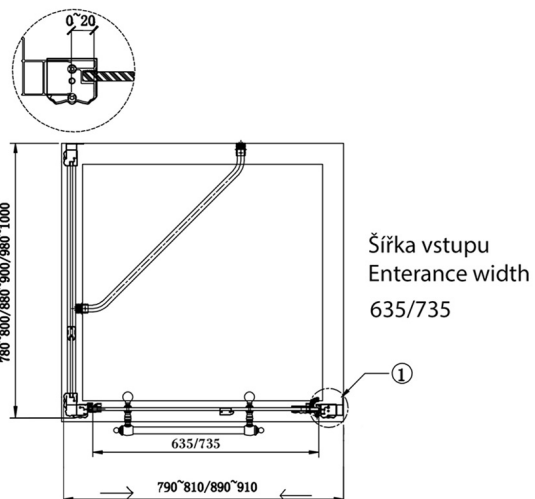
Width: 900 mm
Height: 1900 mm
Depth: 1000 mm

Properties

Warranty: 3 years



Technical sheet



Šířka vstupu
Entrance width
635/735

