

# NUBES towel holder 100cm, black matt

GSI<sup>®</sup>

Order code: PANB100N

## Basic information

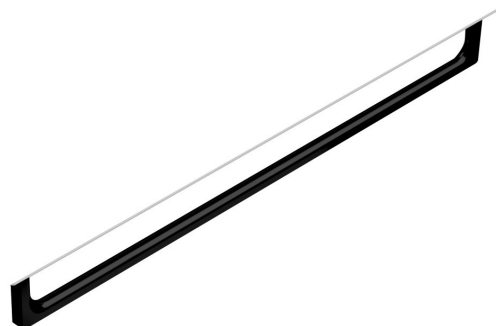
Brand: GSI  
Series: NUBES

## Size

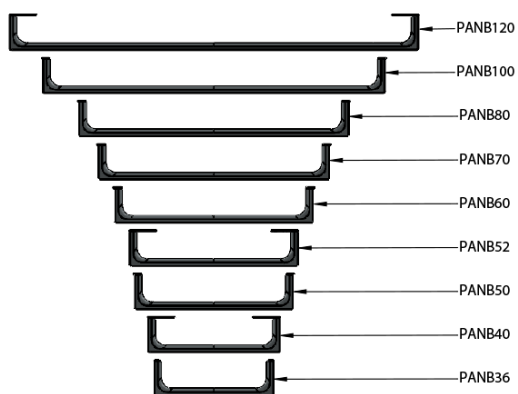
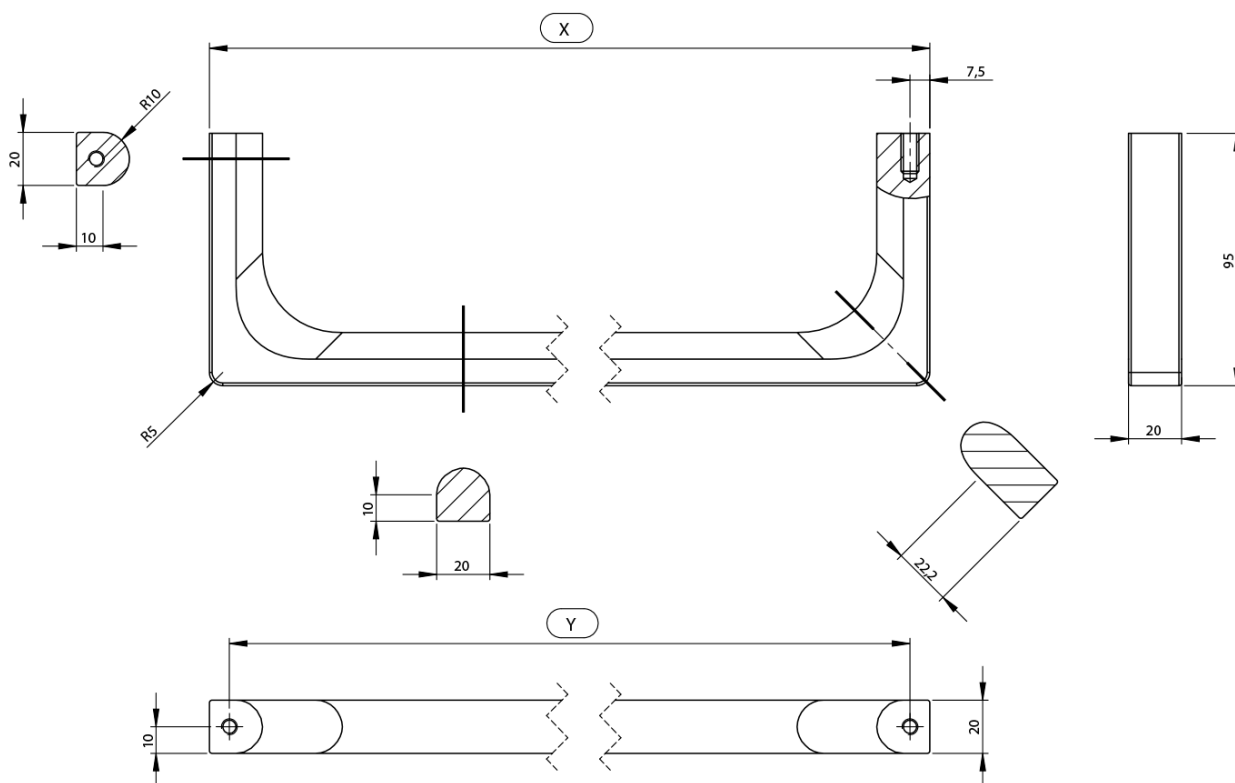
Length: 1000 mm

## Properties

Colour: Black  
Weight / Piece: 1.1 kg  
Packaging: 1 Piece  
Warranty: 2 years



Technical sheet



Varianta	X [mm]	Y [mm]
PANB120	1130	1115
PANB100	945	930
PANB80	745	730
PANB70	638	623
PANB60	548	533
PANB52	465	450
PANB50	438	423
PANB40	365	350
PANB36	330	315