

NUBES towel holder 100cm, black matt



Order code: PANB100N

Size

Length: 1000 mm

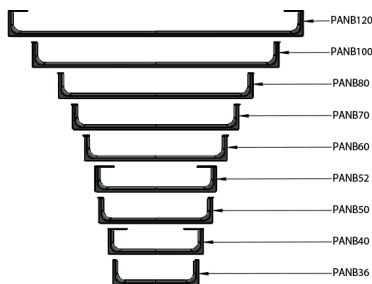
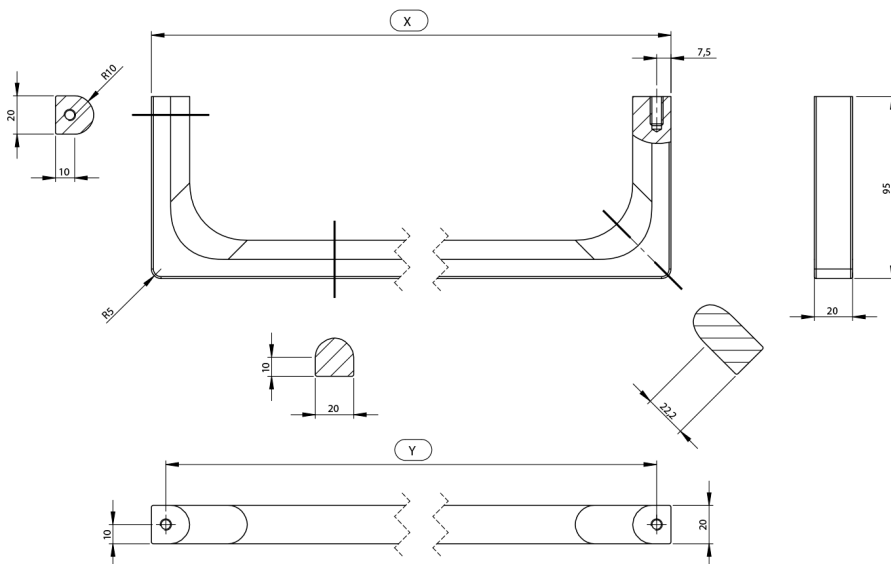
Properties

Colour: Black

Warranty: 2 years



Technical sheet



Varianta	X [mm]	Y [mm]
PANB120	1130	1115
PANB100	945	930
PANB80	745	730
PANB70	638	623
PANB60	548	533
PANB52	465	450
PANB50	438	423
PANB40	365	350
PANB36	330	315