

# NUBES towel holder 100cm, chrome



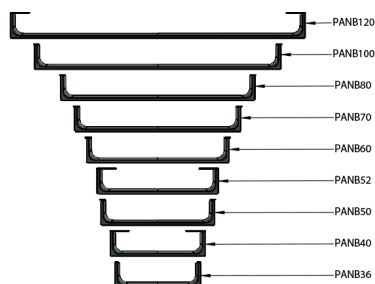
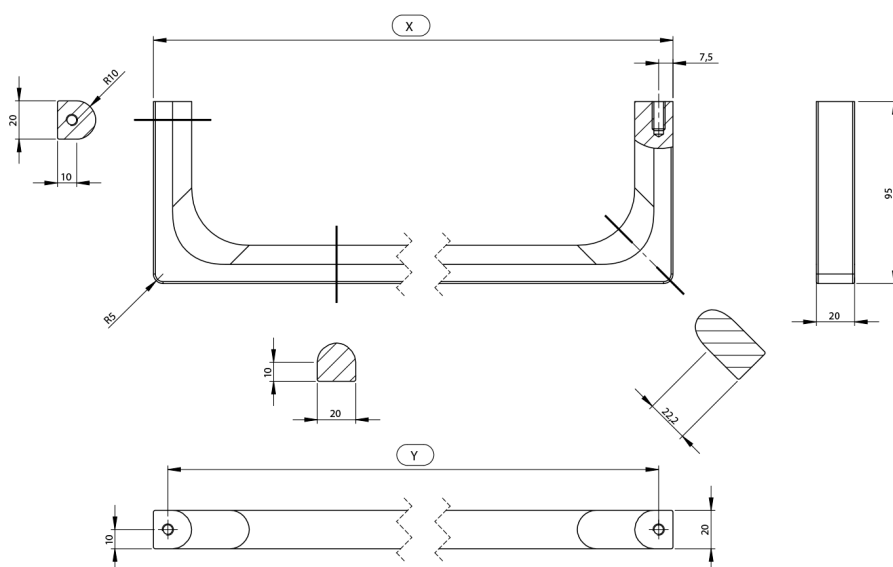
**Order code:** PANB100

**Size**  
Length: 1000 mm

**Properties**  
Colour: Chrome  
Warranty: 2 years



## Technical sheet



Varianta	X [mm]	Y [mm]
PANB120	1130	1115
PANB100	945	930
PANB80	745	730
PANB70	638	623
PANB60	548	533
PANB52	465	450
PANB50	438	423
PANB40	365	350
PANB36	330	315