

ROLLS LINE Rectangular screen 1600x1000 mm, L/R variant, clear glass

Order code: RL1615RL3415



Basic information

Brand: Polysan
Series: ROLLS LINE

Size

Width: 1600 mm
Height: 2000 mm
Depth: 1000 mm

Properties

Color profile: Chrome - Brushed aluminum
Shape: Rectangular shower enclosures
Type of opening: Sliding door
Opening direction: Universal
Opening width: 675 mm
Glass colour: TRANSPARENT glass
Glass finish: Antidrop
Glass thickness: 8 mm
Properties: Frameless design
Weight / Piece: 81.0 kg
Packing: 2 Piece
Guarantee: 2 years

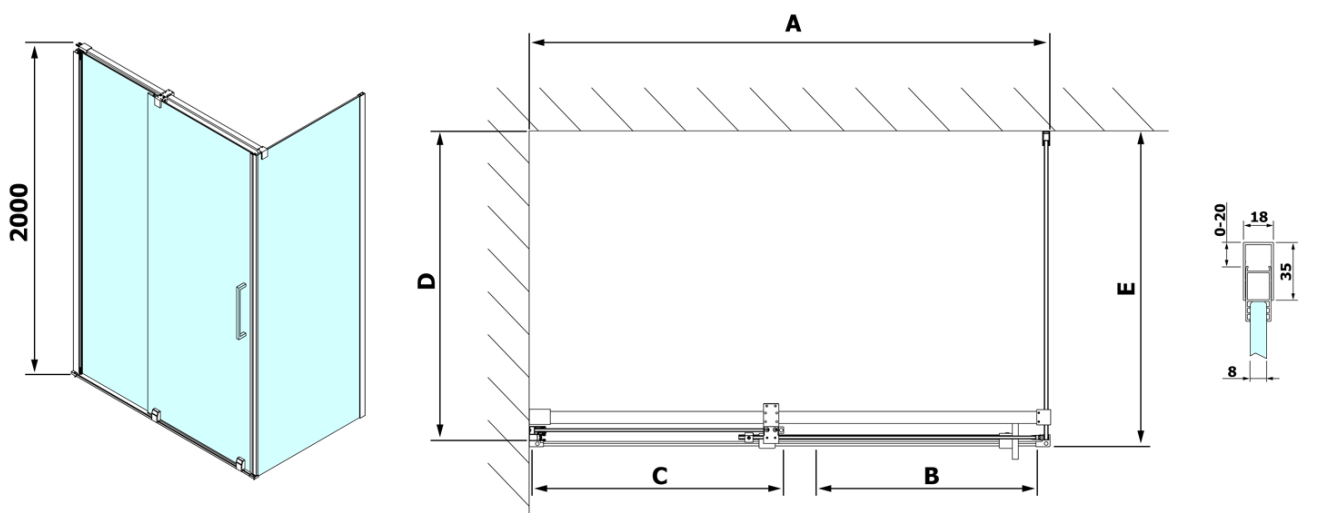


Spare parts

ALTIS LINE/ROLLS LINE/DRAGON set of screw covers (Order code: NDAL03)
ROLLS LINE bottom seal under solid glass (Order code: NDRL03)
ROLLS LINE handle (Order code: NDRL-MADLO)
VOLCANO/ROLLS LINE magnetic seal (Order code: NDGV02)
ROLLS LINE L/P ends of the roller profile (Order code: NDRL05)
ROLLS LINE vertical seal (Order code: NDRL02)
ROLLS LINE Bottom seal (Order code: NDRL01)
ROLLS LINE roller profile (Order code: NDRL04)

ROLLS LINE Rectangular screen 1600x1000 mm, L/R variant, clear glass

Technical sheet



Model	D	E
RL3215	765-785	780-800
RL3315	865-885	880-900
RL3415	965-985	980-1000

Model	A	B	C
RL1115	1070-1110	425	~500
RL1215	1170-1210	475	~550
RL1315	1270-1310	525	~600
RL1415	1370-1410	575	~650
RL1515	1470-1510	625	~700
RL1615	1570-1610	675	~750

