

# ROLLS Rectangular screen 1500x800 mm, L/R variant, clear glass



**Order code:** RL1515RL3215

## Basic information

**Brand:** Polysan  
**Series:** ROLLS

## Size

**Width:** 1500 mm  
**Height:** 2000 mm  
**Depth:** 800 mm

## Properties

**Profile colour:** Chrome - polished aluminum  
**Shape:** Rectangular shower enclosures  
**Type of opening:** Sliding door  
**Opening direction:** Versatile  
**Opening width:** 625 mm  
**Glass colour:** TRANSPARENT glass  
**Glass finish:** Antidrop  
**Glass thickness:** 8 mm  
**Properties:** Frameless design  
**Weight / Piece:** 71.0 kg  
**Packaging:** 2 Piece  
**Warranty:** 2 years

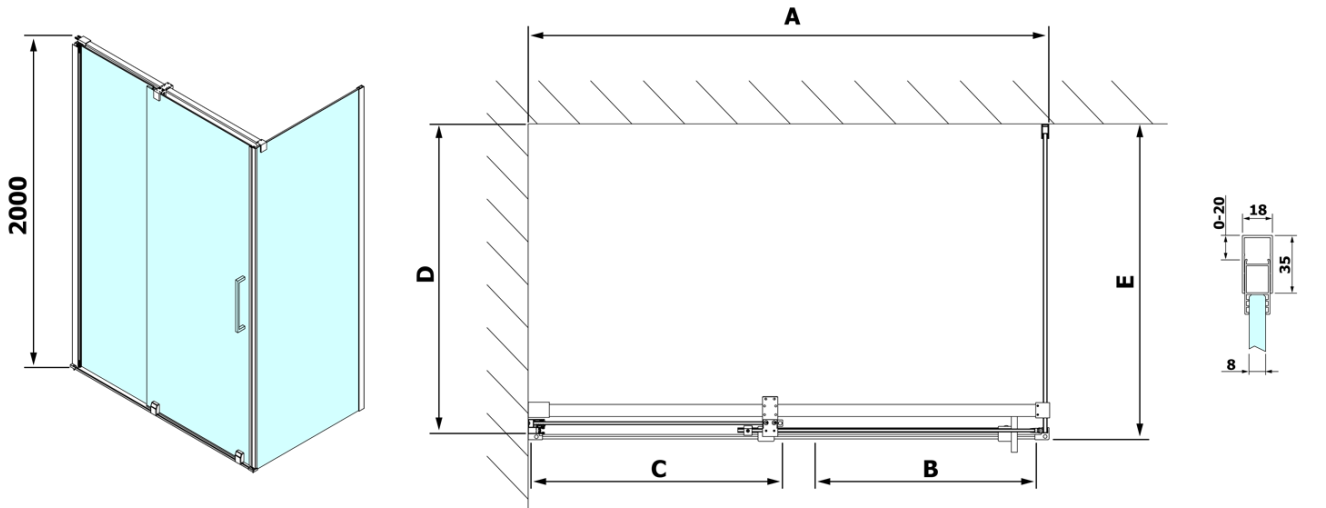


## Spare parts

ALTIS/ROLLS/DRAGON set of screw covers (Order code: NDAL03)  
VOLCANO/ROLLS LINE magnetic seal (Order code: NDGV02)  
ROLLS handle (Order code: NDRL-MADLO)  
ROLLS bottom seal under solid glass (Order code: NDRL03)  
ROLLS vertical seal (Order code: NDRL02)  
ROLLS L/P ends of the roller profile (Order code: NDRL05)  
ROLLS Bottom seal (Order code: NDRL01)  
ROLLS roller profile (Order code: NDRL04)

ROLLS Rectangular screen 1500x800 mm, L/R  
variant, clear glass

Technical sheet



Model	D	E
RL3215	765-785	780-800
RL3315	865-885	880-900
RL3415	965-985	980-1000

Model	A	B	C
RL1115	1070-1110	425	~500
RL1215	1170-1210	475	~550
RL1315	1270-1310	525	~600
RL1415	1370-1410	575	~650
RL1515	1470-1510	625	~700
RL1615	1570-1610	675	~750

