

# ROLLS Rectangular screen 1100x1000 mm, L/R variant, clear glass



**Order code:** RL1115RL3415

## Basic information

**Brand:** Polysan

**Series:** ROLLS

## Size

**Width:** 1100 mm

**Height:** 2000 mm

**Depth:** 1000 mm

## Properties

**Profile colour:** Chrome - polished aluminum

**Shape:** Rectangular shower enclosures

**Type of opening:** Sliding door

**Opening direction:** Versatile

**Opening width:** 425 mm

**Glass colour:** TRANSPARENT glass

**Glass finish:** Antidrop

**Glass thickness:** 8 mm

**Properties:** Frameless design

**Weight / Piece:** 95.0 kg

**Packaging:** 2 Piece

**Warranty:** 2 years



## Spare parts

ROLLS handle (Order code: NDRL-MADLO)

Bottom seal under solid glass 8mm, 1000mm (Order code: NDRL03)

ALTIS/ROLLS/DRAGON set of screw covers (Order code: NDAL03)

ROLLS roller profile (Order code: NDRL04)

Flat magnetic seal for glass 8mm, 2000mm (Order code: NDGV02)

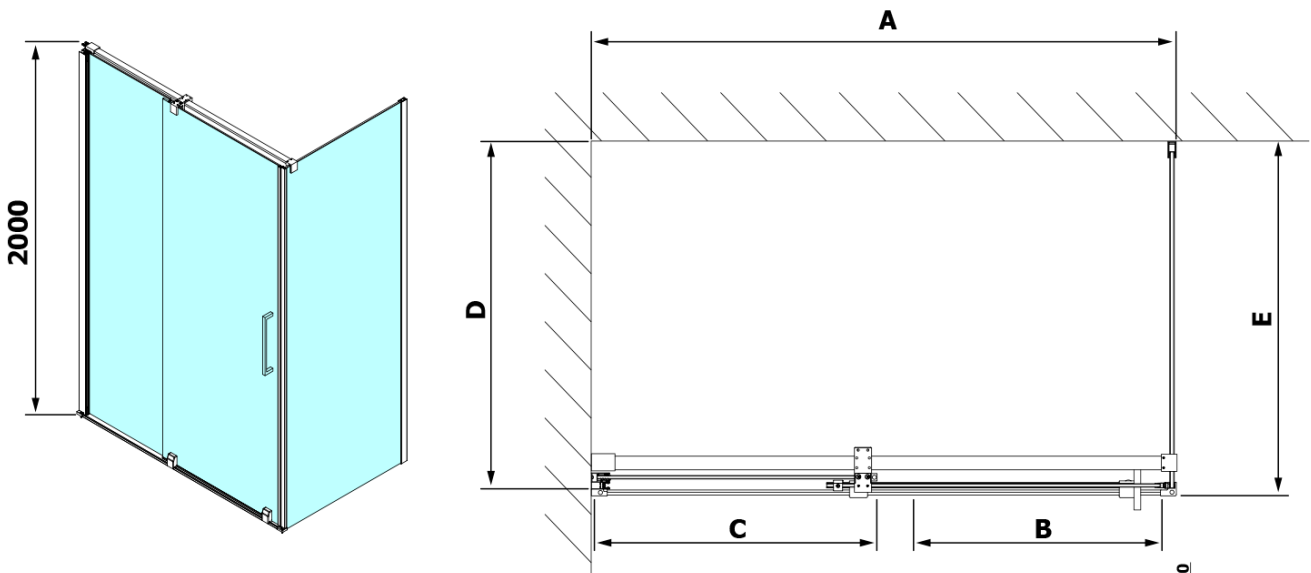
Vertical seal for 8mm glass, 2000mm (Order code: NDRL02)

ROLLS L/P ends of the roller profile (Order code: NDRL05)

ROLLS Rectangular screen 1100x1000 mm, L/R  
variant, clear glass



Technical sheet



Model	D	E
RL3215	765-785	780-800
RL3315	865-885	880-900
RL3415	965-985	980-1000

Model	A	B	C
RL1115	1072-1102	425	~500
RL1215	1172-1202	475	~550
RL1315	1272-1302	525	~600
RL1415	1372-1402	575	~650
RL1515	1472-1502	625	~700
RL1615	1572-1602	675	~750

