

ROLLS Rectangular screen 1100x800 mm, L/R variant, clear glass



Order code: RL1115RL3215

Basic information

Brand: Polysan

Series: ROLLS

Size

Width: 1100 mm

Height: 2000 mm

Depth: 800 mm

Properties

Profile colour: Chrome - polished aluminum

Shape: Rectangular shower enclosures

Type of opening: Sliding door

Opening direction: Versatile

Opening width: 425 mm

Glass colour: TRANSPARENT glass

Glass finish: Antidrop

Glass thickness: 8 mm

Properties: Frameless design

Weight / Piece: 87.0 kg

Packaging: 2 Piece

Warranty: 2 years



Spare parts

ALTIS/ROLLS/DRAGON set of screw covers (Order code: NDAL03)

VOLCANO/ROLLS LINE magnetic seal (Order code: NDGV02)

ROLLS handle (Order code: NDRL-MADLO)

ROLLS bottom seal under solid glass (Order code: NDRL03)

ROLLS vertical seal (Order code: NDRL02)

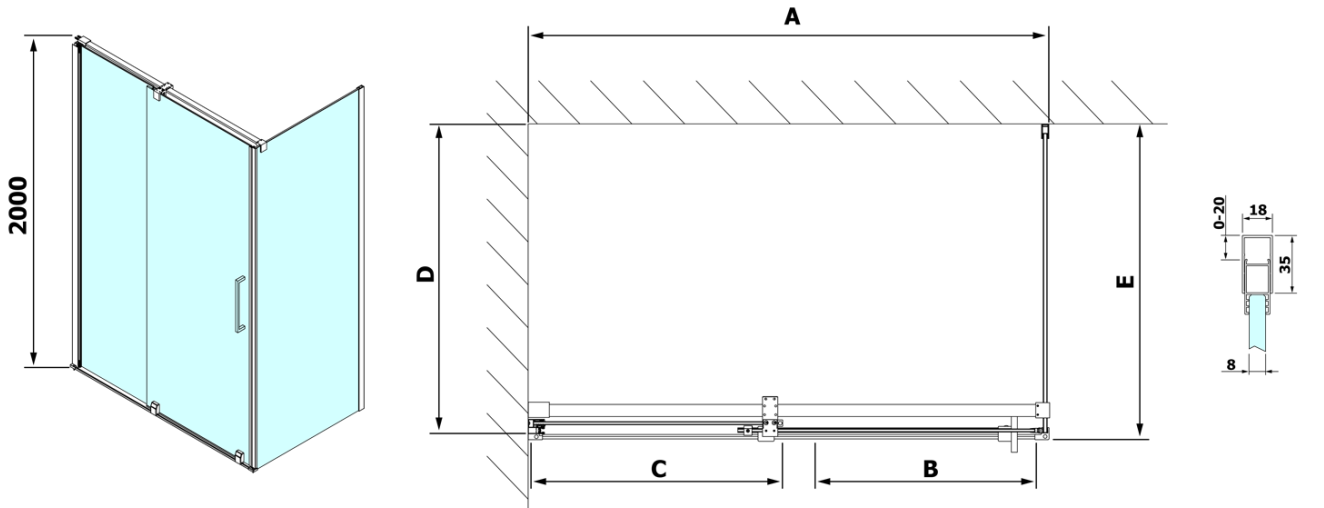
ROLLS L/P ends of the roller profile (Order code: NDRL05)

ROLLS Bottom seal (Order code: NDRL01)

ROLLS roller profile (Order code: NDRL04)

ROLLS Rectangular screen 1100x800 mm, L/R
variant, clear glass

Technical sheet



| Model | D | E |
|--------|---------|----------|
| RL3215 | 765-785 | 780-800 |
| RL3315 | 865-885 | 880-900 |
| RL3415 | 965-985 | 980-1000 |

| Model | A | B | C |
|--------|-----------|-----|------|
| RL1115 | 1070-1110 | 425 | ~500 |
| RL1215 | 1170-1210 | 475 | ~550 |
| RL1315 | 1270-1310 | 525 | ~600 |
| RL1415 | 1370-1410 | 575 | ~650 |
| RL1515 | 1470-1510 | 625 | ~700 |
| RL1615 | 1570-1610 | 675 | ~750 |

