

# ROLLS Rectangular screen 1100x800 mm, L/R variant, clear glass



Order code: RL1115RL3215

## Basic information

Brand: Polysan  
Series: ROLLS

## Size

Width: 1100 mm  
Height: 2000 mm  
Depth: 800 mm

## Properties

Profile colour: Chrome - polished aluminum  
Shape: Rectangular shower enclosures  
Type of opening: Sliding door  
Opening direction: Versatile  
Opening width: 425 mm  
Glass colour: TRANSPARENT glass  
Glass finish: Antidrop  
Glass thickness: 8 mm  
Properties: Frameless design  
Weight / Piece: 87.0 kg  
Packaging: 2 Piece  
Warranty: 2 years

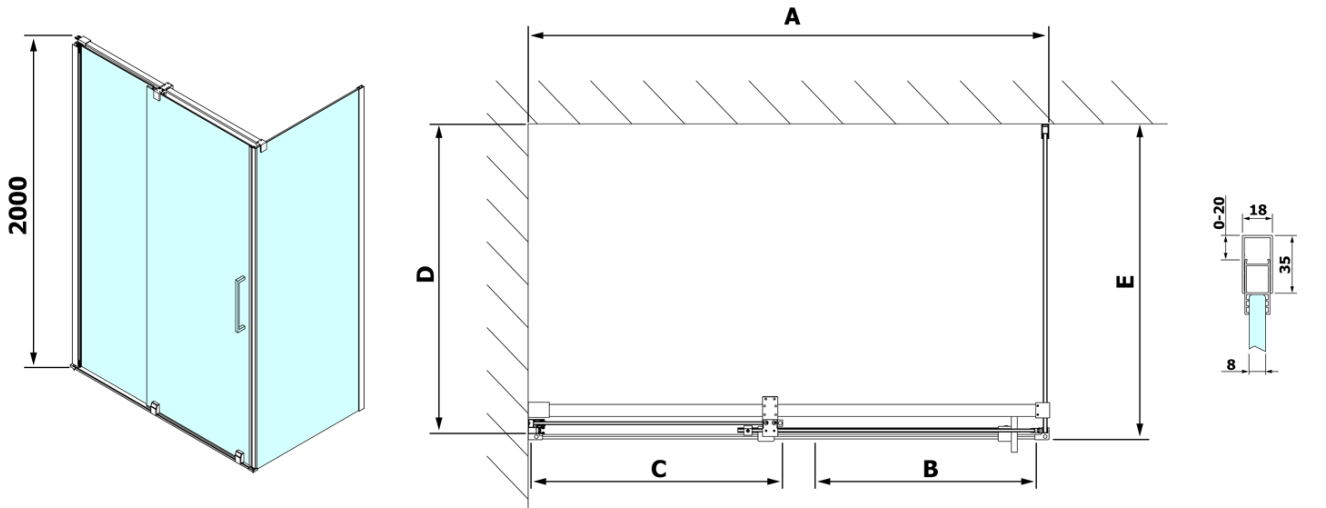


## Spare parts

ALTIS/ROLLS/DRAGON set of screw covers (Order code: NDAL03)  
VOLCANO/ROLLS LINE magnetic seal (Order code: NDGV02)  
ROLLS handle (Order code: NDRL-MADLO)  
ROLLS bottom seal under solid glass (Order code: NDRL03)  
ROLLS vertical seal (Order code: NDRL02)  
ROLLS L/P ends of the roller profile (Order code: NDRL05)  
ROLLS Bottom seal (Order code: NDRL01)  
ROLLS roller profile (Order code: NDRL04)

ROLLS Rectangular screen 1100x800 mm, L/R  
variant, clear glass

Technical sheet



Model	D	E
RL3215	765-785	780-800
RL3315	865-885	880-900
RL3415	965-985	980-1000

Model	A	B	C
RL1115	1070-1110	425	~500
RL1215	1170-1210	475	~550
RL1315	1270-1310	525	~600
RL1415	1370-1410	575	~650
RL1515	1470-1510	625	~700
RL1615	1570-1610	675	~750

