

ARCHITEX mounting kit for glass, floor and wall and ceiling, max width 1600mm, black matt



Order code: AXL2816B

Basic information

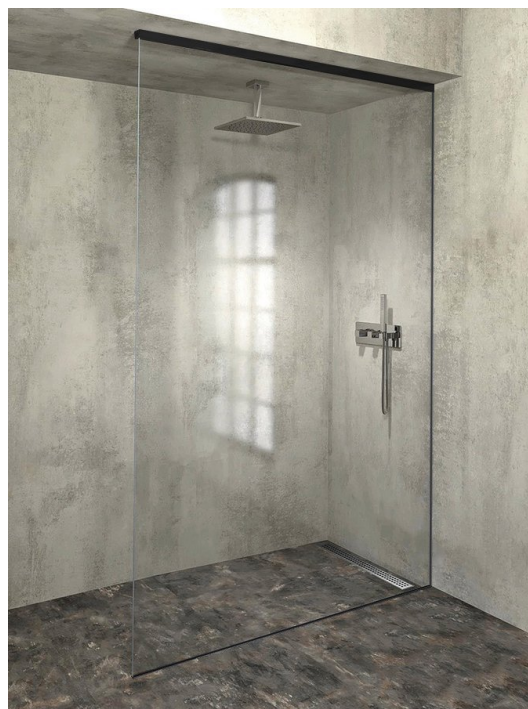
Brand: Polysan
Series: ARCHITEX

Size

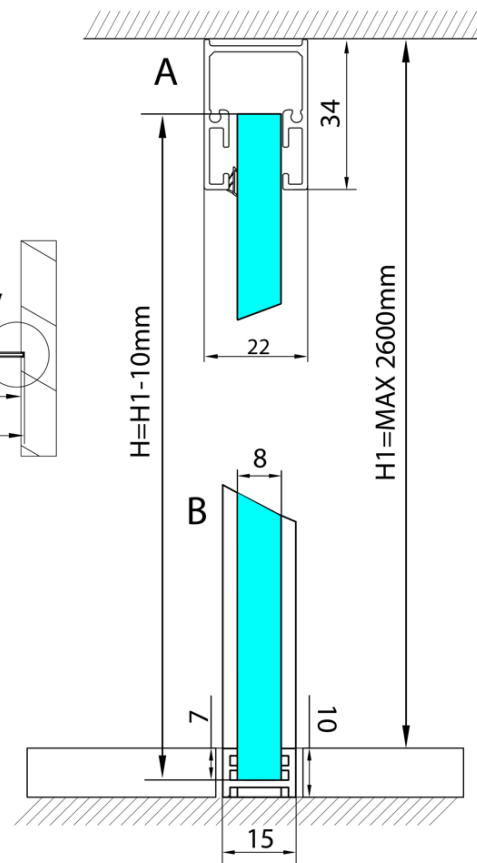
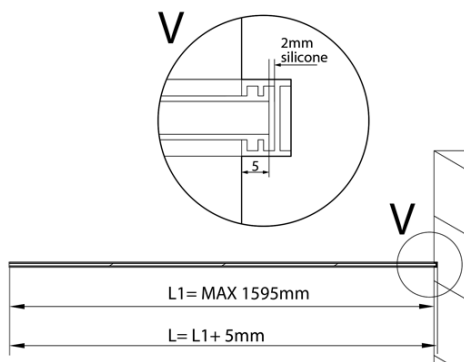
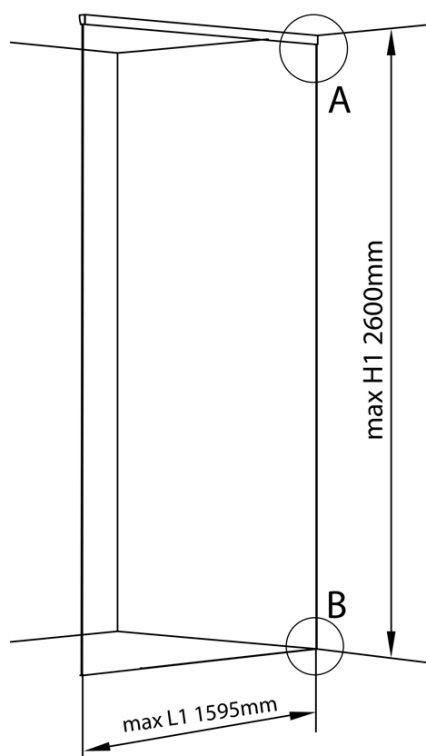
Depth: 1600 mm

Properties

Profile colour: Black matt
Shape: Single-wall fixed screen
Glass thickness: 8 mm
Weight / Piece: 0.085 kg
Packaging: 1 Piece
Warranty: 2 years



Technical sheet



$L1 = \text{MAX } 1595$	$H1 = \text{MAX } 2600$
$L = L1 + 5 = 1600$	$H = H1 - 10 = 2590$