

ARCHITEX mounting kit for glass, floor and wall and ceiling, max width 1600mm, black matt



Order code: AXL2816B

Basic information

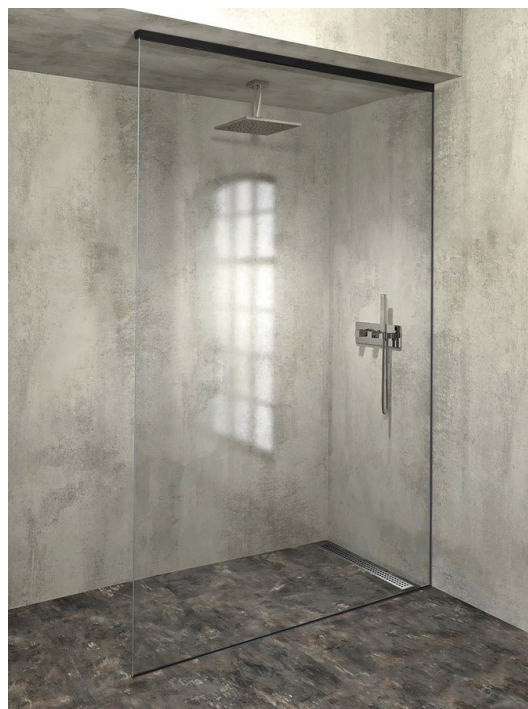
Brand: Polysan
Series: ARCHITEX

Size

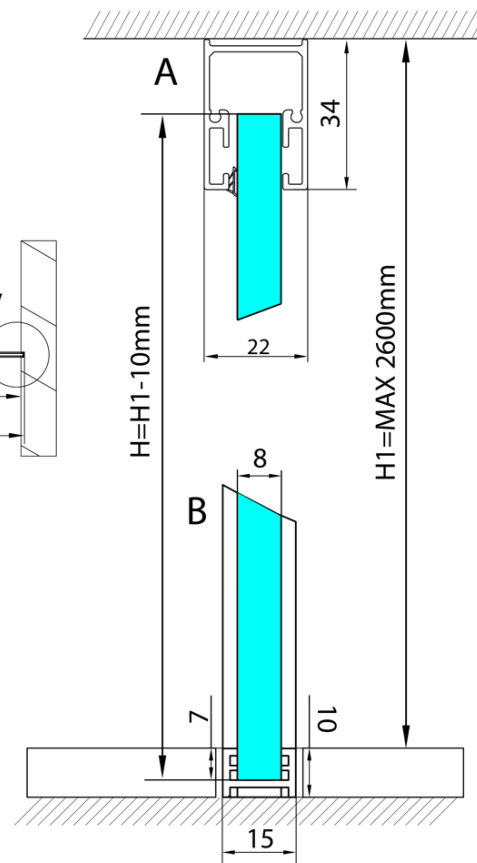
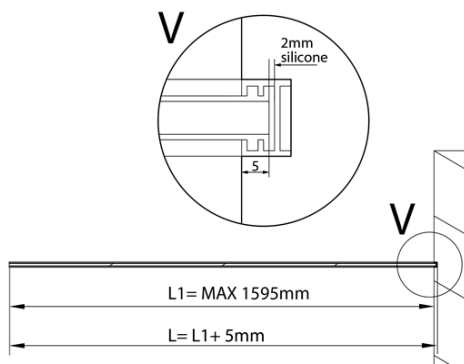
Depth: 1600 mm

Properties

Profile colour: Black matt
Shape: Single-wall fixed screen
Glass thickness: 8 mm
Weight / Piece: 0.085 kg
Packaging: 1 Piece
Warranty: 2 years



Technical sheet



| | |
|-------------------------|-------------------------|
| $L1 = \text{MAX } 1595$ | $H1 = \text{MAX } 2600$ |
| $L = L1 + 5 = 1600$ | $H = H1 - 10 = 2590$ |