

ROLLS shower door 1100mm, height 2000mm, clear glass



Order code: RL1115

Basic information

Brand: Polysan
Series: ROLLS

Size

Width: 1100 mm
Height: 2000 mm

Properties

Profile colour: Chrome - polished aluminum
Shape: Alcove door
Type of opening: Sliding door
Opening direction: Versatile
Opening width: 425 mm
Glass colour: TRANSPARENT glass
Glass finish: Antidrop
Glass thickness: 8 mm
Installation width from: 1070 mm
Installation width up to: 1110 mm
Properties: Frameless design
Weight / Piece: 53.0 kg
Warranty: 2 years

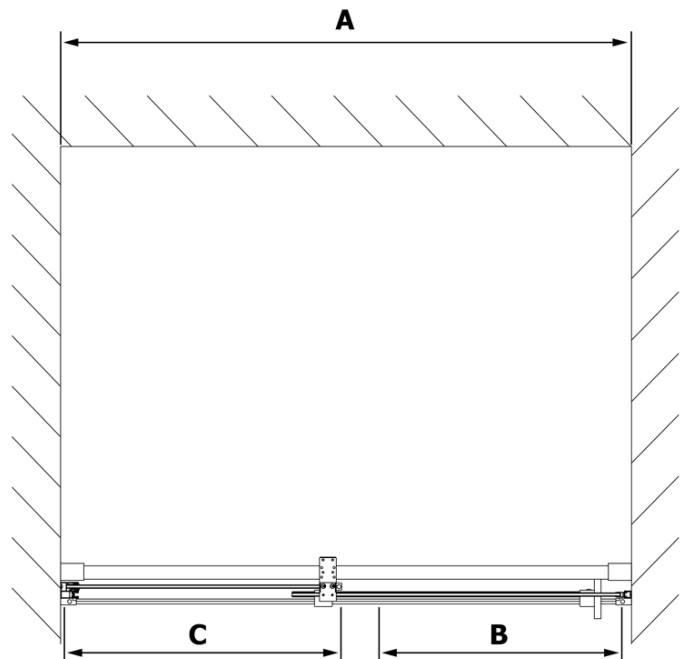
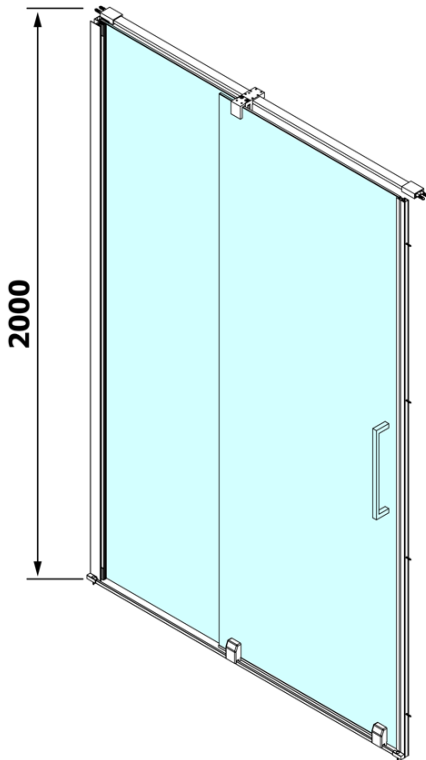


Spare parts

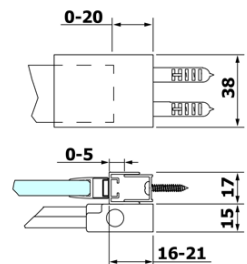
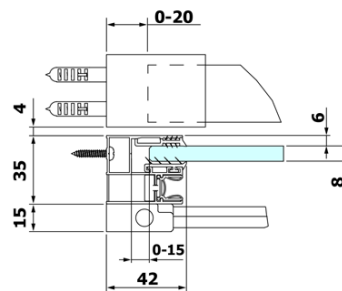
ALTIS/ROLLS/DRAGON set of screw covers (Order code: NDAL03)
ROLLS handle (Order code: NDRL-MADLO)
ROLLS bottom seal under solid glass (Order code: NDRL03)
VOLCANO/ROLLS LINE magnetic seal (Order code: NDGV02)
ROLLS vertical seal (Order code: NDRL02)
ROLLS L/P ends of the roller profile (Order code: NDRL05)
ROLLS Bottom seal (Order code: NDRL01)
ROLLS roller profile (Order code: NDRL04)

ROLLS shower door 1100mm, height 2000mm, clear glass

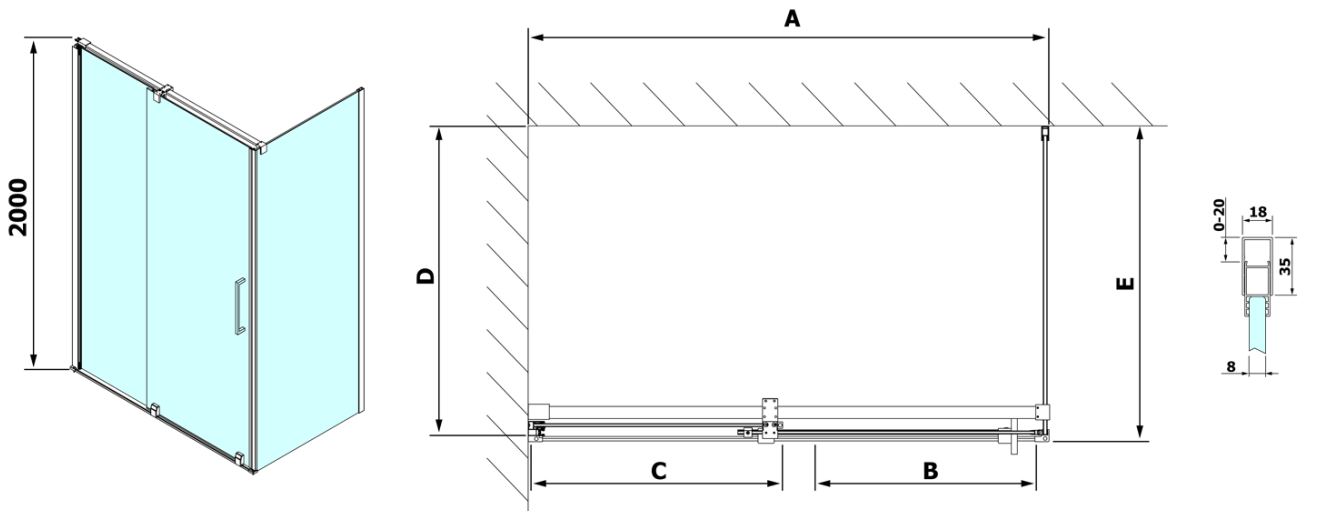
Technical sheet



MODEL	A	B	C
RL1115	1070-1110	425	~500
RL1215	1170-1210	475	~550
RL1315	1270-1310	525	~600
RL1415	1370-1410	575	~650
RL1515	1470-1510	625	~700
RL1615	1570-1610	675	~750



ROLLS shower door 1100mm, height 2000mm, clear glass



Model	D	E
RL3215	765-785	780-800
RL3315	865-885	880-900
RL3415	965-985	980-1000

Model	A	B	C
RL1115	1070-1110	425	~500
RL1215	1170-1210	475	~550
RL1315	1270-1310	525	~600
RL1415	1370-1410	575	~650
RL1515	1470-1510	625	~700
RL1615	1570-1610	675	~750

