

Order code: AL3015CAL5915C

Basic information

Brand: Polysan
Series: ALTIS

Size

Width: 1200 mm
Height: 2000 mm
Depth: 800 mm

Properties

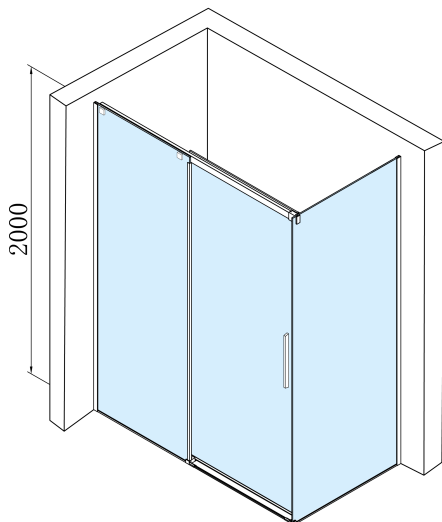
Profile colour: Chrome - polished aluminum
Shape: Rectangular shower enclosures
Type of opening: Sliding door
Opening direction: Versatile
Opening width: 475 mm
Glass colour: TRANSPARENT glass
Glass finish: Antidrop
Glass thickness: 8 mm
Properties: Frameless design
Weight / Piece: 91.0 kg
Packaging: 2 Piece
Warranty: 2 years



Spare parts

DRAGON, FONDURA, ALTIS bottom seal, 1000 mm (Order code: NDGD02)
ALTIS installation set (Order code: NDAL01)
ALTIS roller (Order code: NDAL04)
FONDURA, ONE overflow rail 1000 mm with end caps (Order code: NDAL05)
ALTIS handle (Order code: NDAL-MADLO)
FONDURA seal glass/floor (Order code: NDAL02)
DRAGON magnetic seal (Order code: NDGD03)
ALTIS set of vertical seals (Order code: NDAL06)
ALTIS/ROLLS/DRAGON set of screw covers (Order code: NDAL03)

Technical sheet



MODEL	A	B	C
AL3915C	1082-1122	498	425
AL3015C	1182-1222	548	475
AL4015C	1282-1322	598	525
AL4115C	1382-1422	648	575
AL4215C	1482-1522	698	625
AL4315C	1582-1622	748	675

MODEL	D
AL5915C	780-800
AL6015C	880-900
AL6115C	980-1000

