

## Angle Valve with rosette, round, 1/2"x 3/8", chrom



**Order code:** SL011

### Basic information

**Brand:** Sapho

### Properties

**Colour:** Chrome

**Material:** Brass

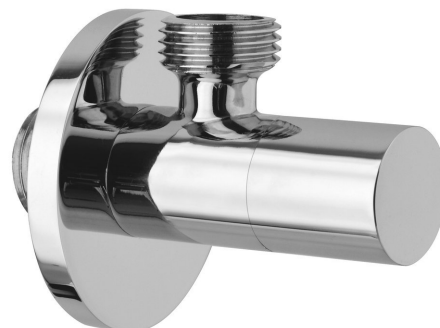
**Thread size:** 1/2"x3/8"

**Equipment:** Without filter

**Weight / Piece:** 0.16 kg

**Packaging:** 1 Piece

**Warranty:** 2 years



Technical sheet

