

PAX concealed basin mixer, chrome



Order code: XA08

Basic information

Brand: Sapho

Series: PAX

Size

Width: 190 mm

Height: 80 mm

Depth: 160 mm



Properties

Colour: Chrome

Material: Brass

Shape: Circular

Installation: Concealed

Type of control: Lever

Cartridge diameter: 35 mm

Weight / Piece: 3.063 kg

Packaging: 1 Piece

Warranty: 6 years

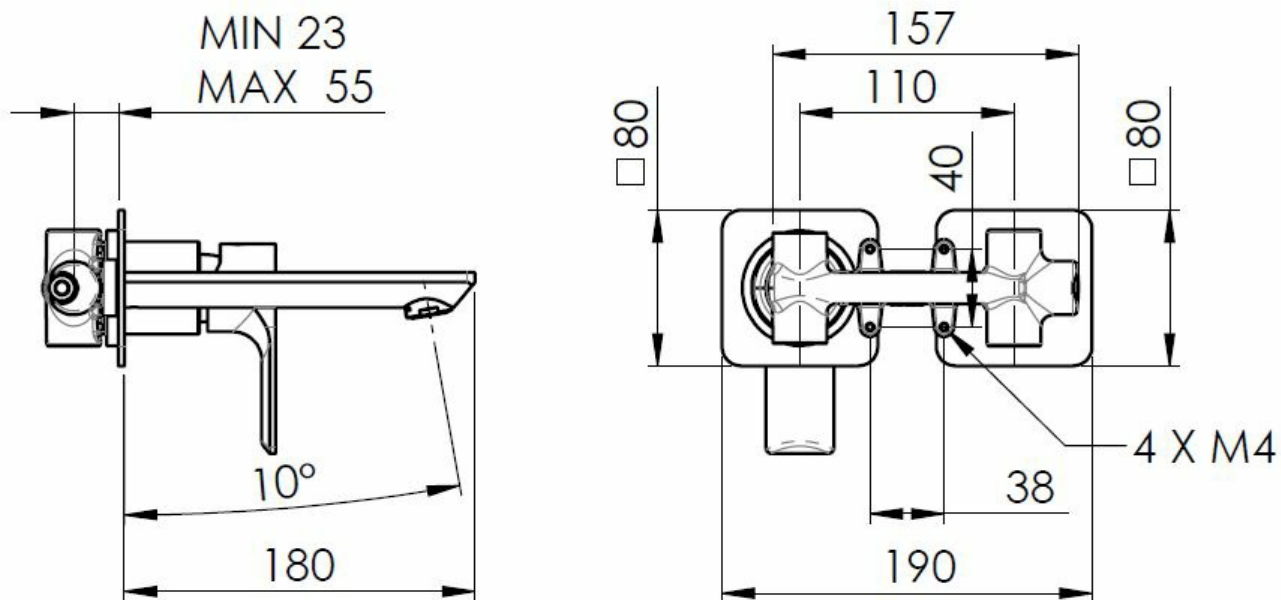
Spare parts

KEROX ECO Replacement Cartridge dia 35mm, low (Order code: 2121B2)

Male Tap Aerator M24x1, plastic (Order code: NDA803NE)

Replacement Cartridge (Order code: 521601)

Technical sheet



ACQUA FREDDA
COLD WATER
G1/2

ACQUA CALDA
HOT WATER
G1/2

