

# ALTIS Sliding Shower Door 1570-1610mm, (H) 2000mm, clear glass



Order code: AL4315C

## Basic information

Brand: Polysan

Series: ALTIS

## Size

Width: 1600 mm

Height: 2000 mm

## Properties

Profile colour: Chrome - polished aluminum

Shape: Alcove door

Type of opening: Sliding door

Opening direction: Versatile

Opening width: 675 mm

Glass colour: TRANSPARENT glass

Glass finish: Antidrop

Glass thickness: 8 mm

Installation width from: 1570 mm

Installation width up to: 1610 mm

Properties: Frameless design

Weight / Piece: 37.0 kg

Packaging: 2 Piece

Warranty: 2 years



## Spare parts

ALTIS installation set (Order code: NDAL01)

DRAGON, FONDURA, ALTIS bottom seal, 1000 mm (Order code: NDGD02)

FONDURA seal glass/floor (Order code: NDAL02)

ALTIS set of vertical seals (Order code: NDAL06)

ALTIS/ROLLS/DRAGON set of screw covers (Order code: NDAL03)

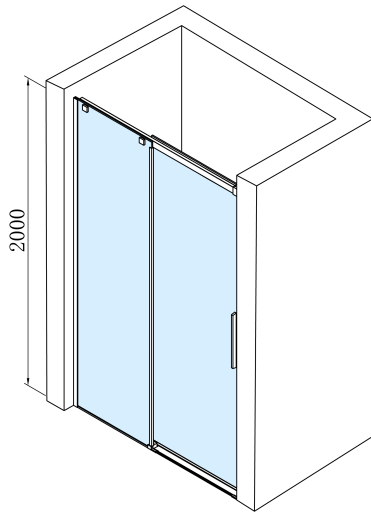
ALTIS roller (Order code: NDAL04)

ALTIS handle (Order code: NDAL-MADLO)

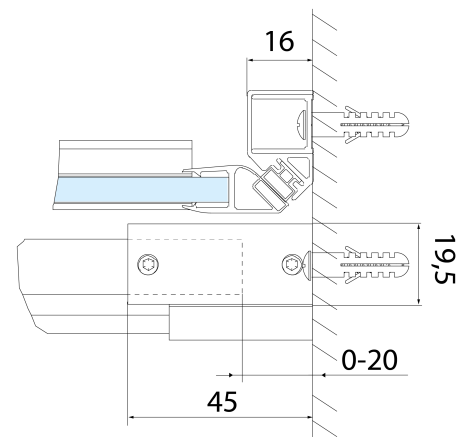
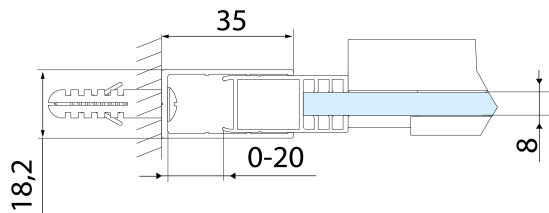
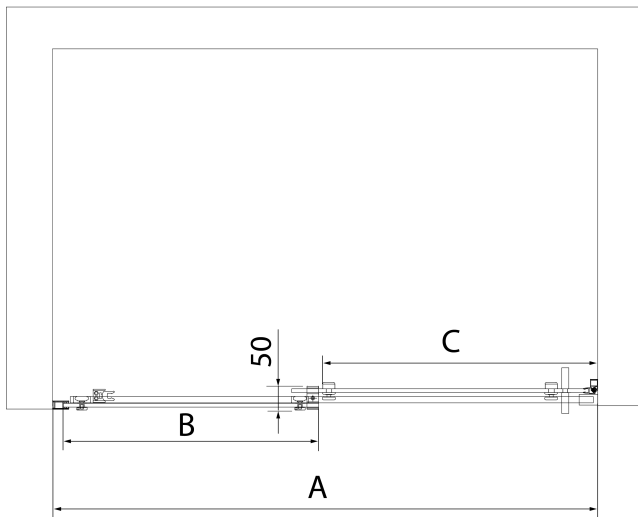
**ALTIS Sliding Shower Door 1570-1610mm, (H)  
2000mm, clear glass**



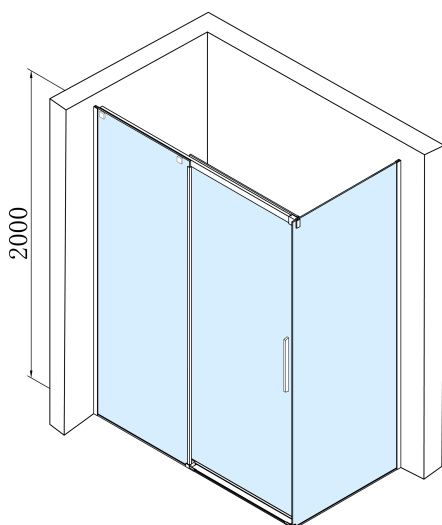
**Technical sheet**



MODEL	A	B	C
AL3915C	1070-1110	498	425
AL3015C	1170-1210	548	475
AL4015C	1270-1310	598	525
AL4115C	1370-1410	648	575
AL4215C	1470-1510	698	625
AL4315C	1570-1610	748	675



**ALTIS Sliding Shower Door 1570-1610mm, (H)  
2000mm, clear glass**



MODEL	A	B	C
AL3915C	1082-1122	498	425
AL3015C	1182-1222	548	475
AL4015C	1282-1322	598	525
AL4115C	1382-1422	648	575
AL4215C	1482-1522	698	625
AL4315C	1582-1622	748	675

MODEL	D
AL5915C	780-800
AL6015C	880-900
AL6115C	980-1000

