

# EASY screen three sides 1200x900mm, L/R variant, clear glass



**Order code:** EL1215EL3315EL3315

## Basic information

**Brand:** Polysan  
**Series:** EASY

## Size

**Width:** 1200 mm  
**Height:** 1900 mm  
**Depth:** 900 mm

## Properties

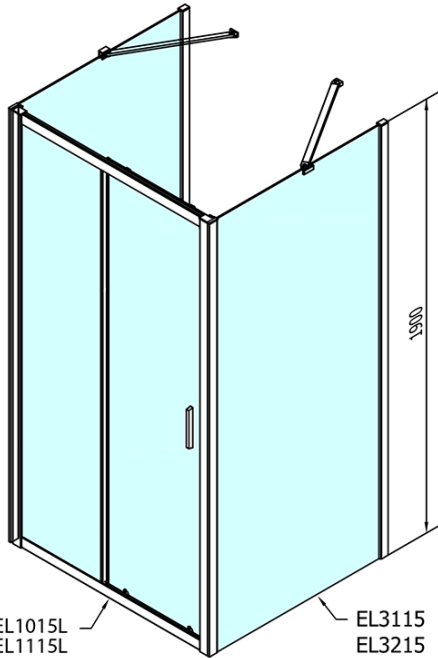
**Profile colour:** Chrome - polished aluminum  
**Shape:** 3-piece shower enclosures  
**Type of opening:** Sliding door  
**Opening direction:** Versatile  
**Opening width:** 480 mm  
**Glass colour:** TRANSPARENT glass  
**Glass thickness:** 6 mm  
**Properties:** Framed design  
**Weight / Piece:** 94.5 kg  
**Packaging:** 5 Piece  
**Warranty:** 2 years



EASY screen three sides 1200x900mm, L/R variant, clear glass

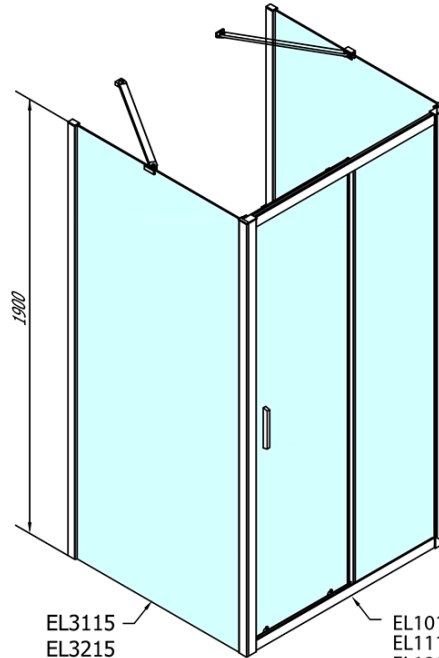


Technical sheet



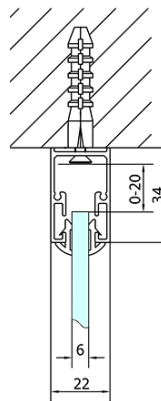
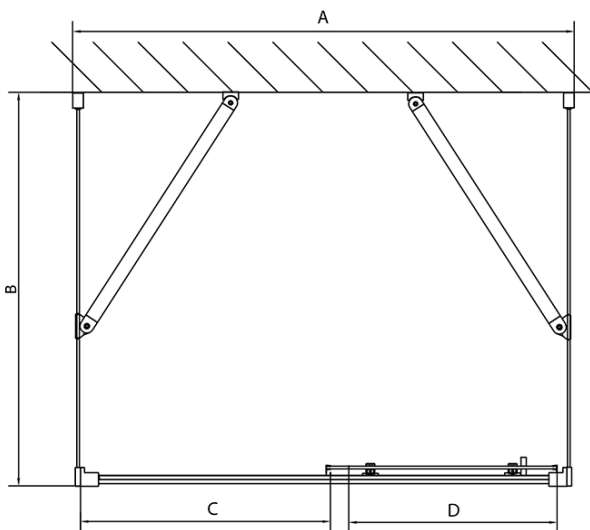
EL1015L  
EL1115L  
EL1215L  
EL1315L  
EL1415L  
EL1515L  
EL1815L

EL3115  
EL3215  
EL3315  
EL3415



EL3115  
EL3215  
EL3315  
EL3415

EL1015R  
EL1115R  
EL1215R  
EL1315R  
EL1415R  
EL1515R  
EL1815R



|        | B        |
|--------|----------|
| EL3115 | 680-700  |
| EL3215 | 780-800  |
| EL3315 | 880-900  |
| EL3415 | 980-1000 |

|        | A         | C   | D   |
|--------|-----------|-----|-----|
| EL1015 | 990-1030  | 470 | 400 |
| EL1115 | 1090-1130 | 500 | 430 |
| EL1215 | 1190-1230 | 530 | 480 |
| EL1315 | 1290-1330 | 590 | 530 |
| EL1415 | 1390-1430 | 640 | 580 |
| EL1515 | 1490-1530 | 690 | 630 |
| EL1815 | 1590-1630 | 740 | 680 |