

## Grab Rail, 350mm, black matt



**Order code:** ML35NE

### Basic information

**Brand:** Sapho

### Size

**Width:** 420 mm

**Height:** 33 mm

**Depth:** 73 mm

### Properties

**Colour:** Black

**Material:** Brass

**Shape:** Circular

**Type:** Grab rail

**Installation:** Drilling

**Load capacity:** 150 kg

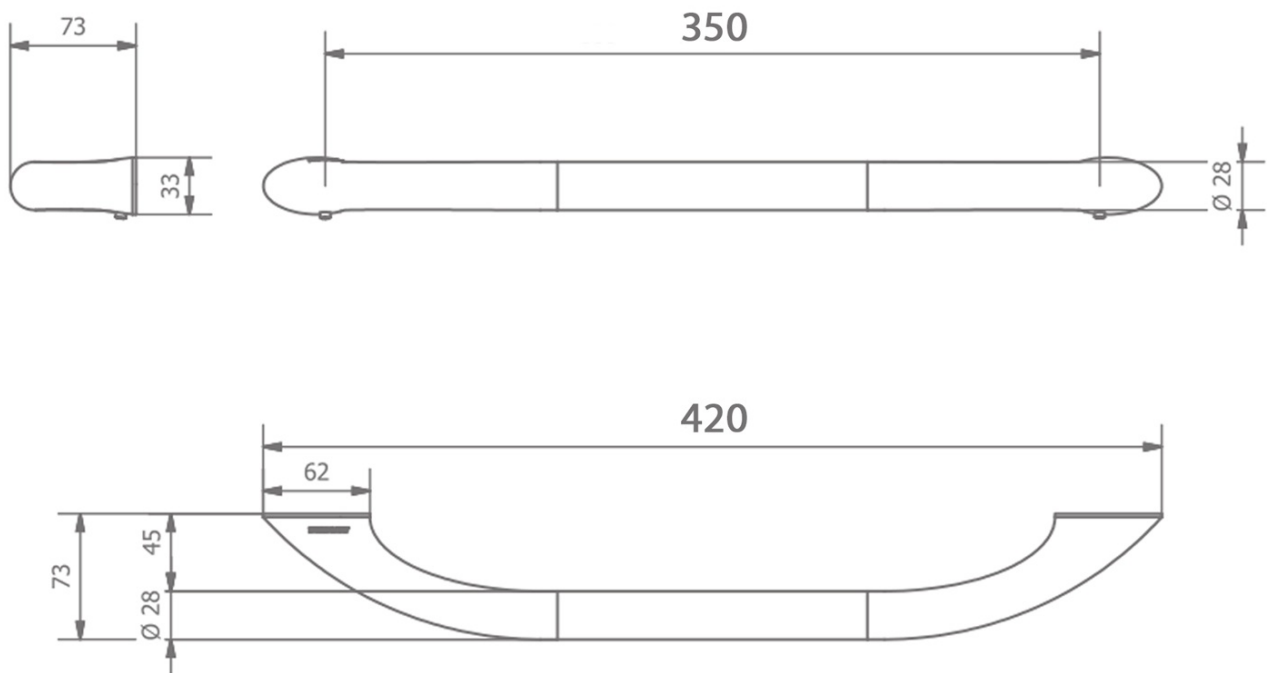
**Weight / Piece:** 1.313 kg

**Packaging:** 1 Piece

**Warranty:** 2 years



Technical sheet



max.nosnost: 150kg