

# MODULAR SHOWER Wall Glass Panel, 1 Piece, 1000 mm with holes for towel holder



**Order code:** MS1-100-D

## Basic information

**Brand:** Polysan  
**Series:** MODULAR SHOWER

## Size

**Height:** 2000 mm  
**Depth:** 1000 mm

## Properties

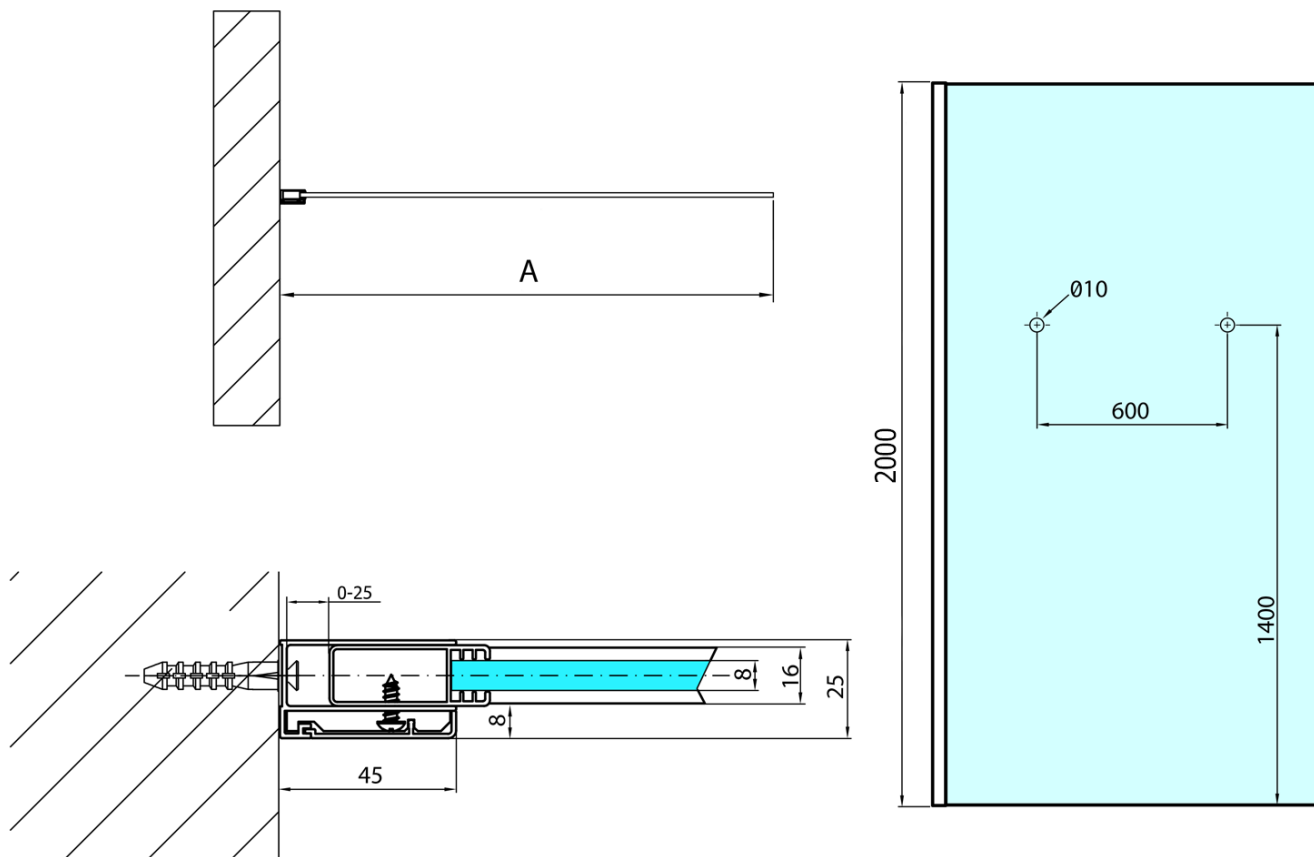
**Profile colour:** Chrome - polished aluminum  
**Shape:** Single-wall fixed screen  
**Glass colour:** TRANSPARENT glass  
**Glass finish:** Antidrop  
**Glass thickness:** 8 mm  
**Weight / Piece:** 46.0 kg  
**Packaging:** 1 Piece  
**Warranty:** 2 years



# MODULAR SHOWER Wall Glass Panel, 1 Piece, 1000 mm with holes for towel holder



## Technical sheet



ARTICLE	A
MS1-90D	876-901
MS1-100D	976-1001