

**Order code:** FL1113LFL1080R

## Basic information

**Brand:** Polysan

**Series:** FORTIS

## Size

**Width:** 1300 mm

**Height:** 2000 mm

**Depth:** 800 mm

## Properties

**Profile colour:** Chrome - polished aluminum

**Shape:** Rectangular with corner entry

**Type of opening:** Double pivot door

**Opening width:** 795 mm

**Glass colour:** TRANSPARENT glass

**Glass finish:** Antidrop

**Glass thickness:** 8 mm

**Properties:** Frameless design

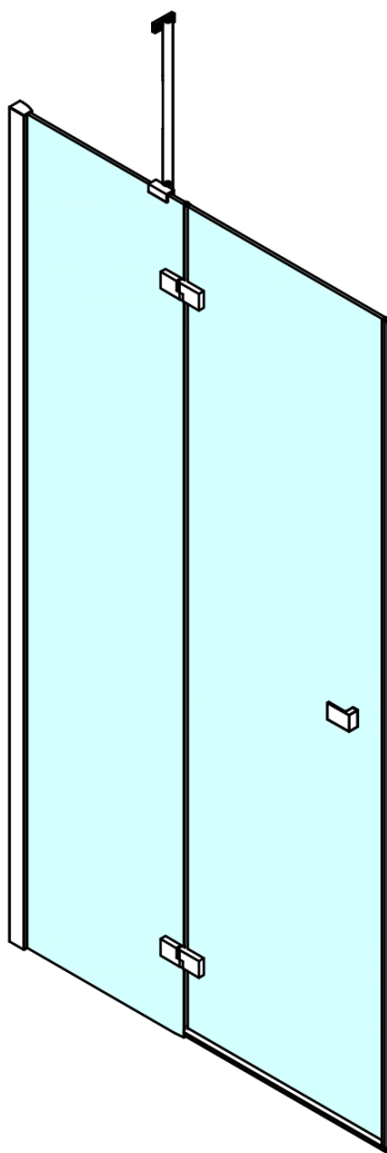
**Weight / Piece:** 95.0 kg

**Packaging:** 2 Piece

**Warranty:** 2 years



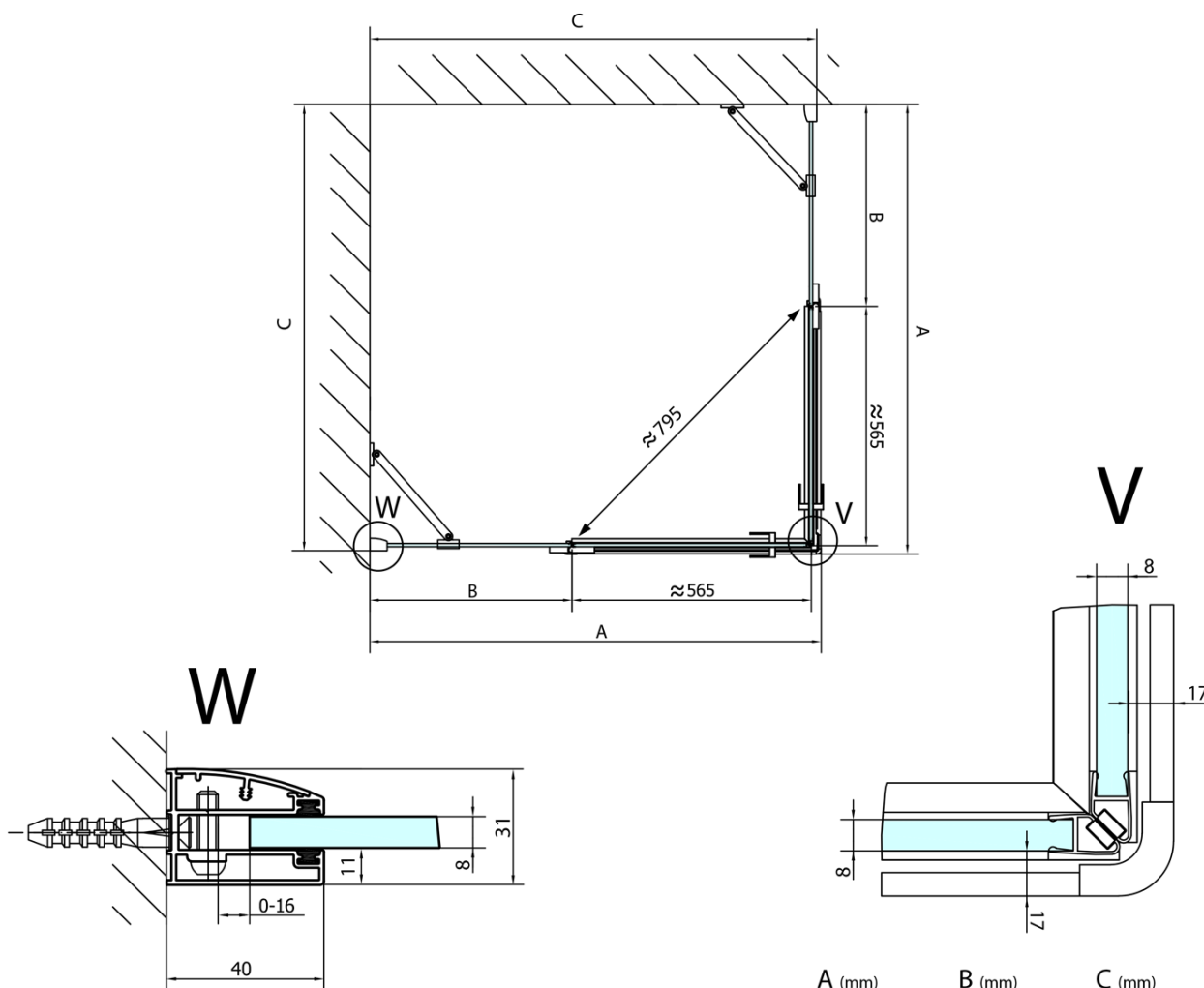
Technical sheet



FL10xxL  
FL11xxL



FL10xxR  
FL11xxR



|        | A (mm)    | B (mm) | C (mm)    |
|--------|-----------|--------|-----------|
| FL1080 | 785-801   | ≈ 210  | 779-795   |
| FL1090 | 885-901   | ≈ 310  | 879-895   |
| FL1010 | 985-1001  | ≈ 410  | 979-995   |
| FL1011 | 1085-1101 | ≈ 510  | 1079-1095 |
| FL1012 | 1185-1201 | ≈ 610  | 1179-1195 |
| FL1113 | 1285-1301 | ≈ 710  | 1279-1295 |
| FL1114 | 1385-1401 | ≈ 810  | 1379-1395 |
| FL1115 | 1485-1501 | ≈ 910  | 1479-1495 |