

MANUS ONDA stainless steel floor drain with grate, L-1050, DN50, black matt



Order code: GMO16B

Size

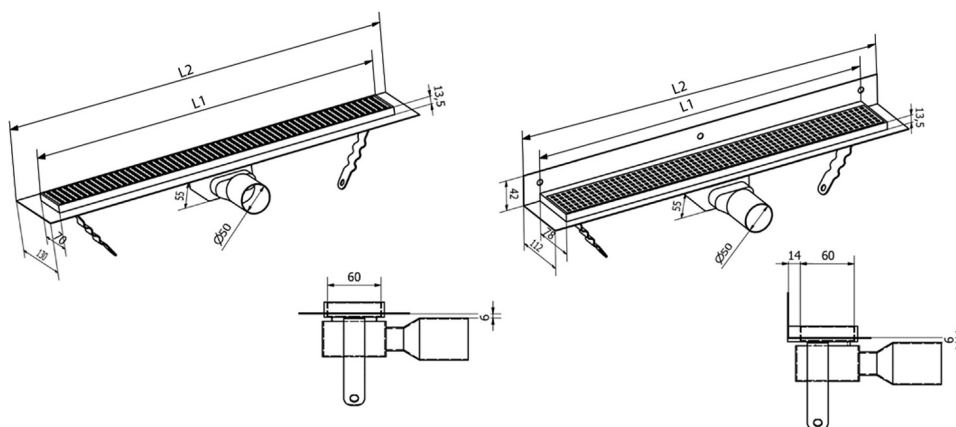
Length: 1050 mm
Width: 130 mm
Height: 55 mm



Properties

Colour: Black
Material: Stainless steel
Warranty: 2 years

Technical sheet



Instalační rozměry							
L1 (mm)	590	690	790	890	990	1 090	1 190
L2 (mm)	650	750	850	950	1 050	1 150	1 250